

Metropolitan Emergency Comm Center (MECC)

Watson Factory Rep Firm: THOMAS SHELBY &	Specified For: Metropolitan Emergency
Address Line 1: 309 SOUTH PARK	Address Line 1: 2455 Agler Road 2455 Agler Road
City: ST. MARY'S	City: Columbus
Zip: 45885	State: OH
Sales Person: Mike Shelby	Contact Name:
Phone Number: 4193943377	Phone Number:
	Email Address:

Project Summary:

(14) Mercury Pro Consoles - 90" & 84" Primaries -60" Screens
 NCPA Contract Pricing #07-48 - Freight Included in Contract Pricing

Each Position Includes:

Electronically Height Adjustable Work Surface **with Techlink
 Adjustable Monitor Array with Individually Adjustable Monitor Arms - as per Drawings
 Built-In Surface Multi Ports for Power/Voice/Data
 Environment Control Package - Includes Forced Air Heat, Cooling Fans, LED Ambient Lighting, LED Task Lighting
 Technology Bridge and cabinets with Active Ventilation to Accommodate (4) PC's
 Storage and Rack Mounts as per Drawings
 3-Light Status Lights for DP Positions

12 Technology Ports to Include:

- 6 - USB ports
- 2 - CAT6 RJ45 Data ports
- 2 - 3.5mm Stereo ports
- 1 - RJ11/RJ12 Phone port
- 1 - USB Charger ports

Installation based on empty room, one trip, 1st floor, and with no prevailing wage or union requirements

1. State and Local Taxes will apply unless proof of exemption is provided with the Purchase Order.
2. Deposit may be required with order; Net 30 days of Shipment of Product.
3. Chairs are for representational purposes only.
4. Lead time average 60 days after receipt of Purchase Order.
5. Completed Order consists of a signed Contract or Purchase Order, Signed Drawings, Signed Color Selection Sheet, and Deposit.
6. Change Order Fee (minimum \$500) may be applicable for changes after 5 business days of submission.
7. Pricing will be valid for four (4) months after receipt of Purchase Order. Any orders that have not been manufactured within this time frame may be subject to a price change.

LIFETIME PLUS 10 WARRANTY - At no additional cost to you. No other manufacturer offers this level of protection.
<https://www.watsonconsoles.com/resources/literature>

Quote Date 9/3/2020	Expiration Date 12/3/2020	Watson Account Manager: Kelly Dowling
Remit To: Watson Consoles 26246 Twelve Trees Lane NW Poulsbo WA 98370		Watson Factory Rep Firm: THOMAS SHELBY & COMPANY
		Prepared By: Destiny Kelley
		File Name: MECC911.11.cmdrw

CP04 14 Positions

Project: Metropolitan Emergency Comm Center (MECC 911)



Sold to

Company name: Metropolitan Emergency Comm Ctr (MECC 911)
 Contact Person:
 Contact Phone:
 Contact Fax:

Distributor

Company name: THOMAS SHELBY & COMPANY
 Salesman: Mike Shelby
 Salesman Phone: 493943377
 Salesman Fax:

#	Qty	Part Number	Description	Sell	Ext. Sell
1	1	HD6H155118L-N	MERCURY PRO HUB, 15"D x 51"W x 18"H, LEFT HAND, NO GROMMET	\$1,593.00	\$1,593.00
2	1	HD6H155118R-N	MERCURY PRO HUB, 15"D x 51"W x 18"H, RIGHT HAND, NO GROMMET	\$1,593.00	\$1,593.00
3	5	HD6H245118C	MERCURY PRO HUB, 24"D x 51"W x 18"H, CENTER	\$2,801.25	\$14,006.25
4	4	HD6H245118C	MERCURY PRO HUB, 24"D x 51"W x 18"H, CENTER	\$2,801.25	\$11,205.00
5	1	HD6H245118L-G	MERCURY PRO HUB, 24"D x 51"W x 18"H, LEFT HAND, WITH GROMMET	\$1,750.50	\$1,750.50
6	3	HD6H245118L-N	MERCURY PRO HUB, 24"D x 51"W x 18"H, LEFT HAND, NO GROMMET	\$1,728.00	\$5,184.00
7	1	HD6H245118R-G	MERCURY PRO HUB, 24"D x 51"W x 18"H, RIGHT HAND, WITH GROMMET	\$1,750.50	\$1,750.50
8	1	HD6H245118R-N	MERCURY PRO HUB, 24"D x 51"W x 18"H, RIGHT HAND, NO GROMMET	\$1,728.00	\$1,728.00
9	2	HD6H245118R-N	MERCURY PRO HUB, 24"D x 51"W x 18"H, RIGHT HAND, NO GROMMET	\$1,728.00	\$3,456.00
10	6	HD6W3684D	MERCURY PRO WORKSURFACE WITH DEPTH ADJUSTMENT, 36"D x 84"W x 24-50"H, WITH CONTOUR EDGE, DUAL MONITOR ARRAY	\$5,737.50	\$34,425.00
11	6	HD6W3684S	MERCURY PRO WORKSURFACE WITH DEPTH ADJUSTMENT, 36"D x 84"W x 24-50"H, WITH CONTOUR EDGE, SINGLE MONITOR ARRAY	\$5,328.00	\$31,968.00
12	1	HD6W3690D	MERCURY PRO WORKSURFACE WITH DEPTH ADJUSTMENT, 36"D x 90"W x 24-50"H, WITH CONTOUR EDGE, DUAL MONITOR ARRAY	\$5,769.00	\$5,769.00
13	1	HD6W3690S	MERCURY PRO WORKSURFACE WITH DEPTH ADJUSTMENT, 36"D x 90"W x 24-50"H, WITH CONTOUR EDGE, SINGLE MONITOR ARRAY	\$5,359.50	\$5,359.50
14	12	HG6TS84G	MERCURY TECH BRIDGE, SINGLE SIDED 12" D X 18"H, FOR A 84"W CONSOLE, WITH GROMMET	\$540.00	\$6,480.00
15	2	HG6TS90N	MERCURY TECH BRIDGE, SINGLE SIDED 12" D X 18"H, FOR A 90"W CONSOLE, NO GROMMET	\$531.00	\$1,062.00
16	6	HGA	MERCURY ARRAY	\$900.00	\$5,400.00
17	6	HGA	MERCURY ARRAY	\$567.00	\$3,402.00
18	6	HGA	MERCURY ARRAY	\$900.00	\$5,400.00
19	1	HGA	MERCURY ARRAY	\$913.50	\$913.50
20	1	HGA	MERCURY ARRAY	\$580.50	\$580.50
21	1	HGA	MERCURY ARRAY	\$913.50	\$913.50
22	1	HGBS1518S-L	MERCURY BRIDGE SPACER, 15"D x 18"H SINGLE, LEFT HAND	\$40.50	\$40.50
23	1	HGBS1518S-R	MERCURY BRIDGE SPACER, 15"D x 18"H SINGLE, RIGHT HAND	\$40.50	\$40.50
24	9	HGBS2418D-C	MERCURY BRIDGE SPACER, 24"D x 18"H DUAL, CENTER	\$54.00	\$486.00
25	3	HGBS2418D-L	MERCURY BRIDGE SPACER, 24"D x 18"H DUAL, LEFT HAND	\$54.00	\$162.00
26	3	HGBS2418D-R	MERCURY BRIDGE SPACER, 24"D x 18"H DUAL, RIGHT HAND	\$54.00	\$162.00
27	1	HGBS2418S-L	MERCURY BRIDGE SPACER, 24"D x 18"H SINGLE, LEFT HAND	\$54.00	\$54.00
28	1	HGBS2418S-R	MERCURY BRIDGE SPACER, 24"D x 18"H SINGLE, RIGHT HAND	\$54.00	\$54.00
29	2	HGESSO5148ST	MERCURY END STACKER STORAGE, OPEN, 11.375"D X 51"W X 48"H, SINGLE WITH STORAGE	\$337.50	\$675.00
30	1	HGPPOB24428L	MERCURY PERSONAL PALLET, OPEN BOX, 24"D x 42"W x 8"H, LEFT HAND	\$432.00	\$432.00
31	1	HGPPOB24428R	MERCURY PERSONAL PALLET, OPEN BOX, 24"D x 42"W x 8"H, RIGHT HAND	\$432.00	\$432.00
32	5	HGSOCBKT48L	MERCURY OUTSIDE CORNER BRACKET, 48"H	\$22.50	\$112.50
33	5	HGSOCBKT48R	MERCURY OUTSIDE CORNER BRACKET, 48"H	\$22.50	\$112.50
34	17	HGSR5160FAC	MERCURY RETURN SCREEN, 51"W x 60"H, FABRIC AND 12" CLEAR ACRYLIC	\$616.50	\$10,480.50
35	1	HGSRE5160FAC	MERCURY RETURN SCREEN, SINGLE FABRIC PANEL AND CLEAR ACRYLIC, 51"W x 60"H	\$499.50	\$499.50
36	1	HGSRE5160FAC	MERCURY RETURN SCREEN, SINGLE FABRIC PANEL AND CLEAR ACRYLIC, 51"W x 60"H	\$499.50	\$499.50
37	12	HGSS8460FAC	MERCURY SPINE SCREEN, 84"W x 60"H, FABRIC AND 12" CLEAR ACRYLIC	\$1,008.00	\$12,096.00
38	2	HGSS9060FAC	MERCURY SPINE SCREEN, 90"W x 60"H, FABRIC AND 12" CLEAR ACRYLIC	\$1,021.50	\$2,043.00
39	7	HGSWIBKT48	MERCURY INSIDE CORNER BRACKET, 48"H	\$18.00	\$126.00
40	2	HGSWIBKT48	MERCURY INSIDE CORNER BRACKET, 48"H	\$18.00	\$36.00
41	1	HGTB244230L	MERCURY TECHNOLOGY BASE, 24"D x 42"W x 30"H, LEFT HAND	\$1,273.50	\$1,273.50
42	4	HGTB244230L	MERCURY TECHNOLOGY BASE, 24"D x 42"W x 30"H, LEFT HAND	\$1,273.50	\$5,094.00
43	1	HGTB244230L	MERCURY TECHNOLOGY BASE, 24"D x 42"W x 30"H, LEFT HAND	\$1,444.50	\$1,444.50
44	5	HGTB244230R	MERCURY TECHNOLOGY BASE, 24"D x 42"W x 30"H, RIGHT HAND	\$1,273.50	\$6,367.50
45	1	HGTB244230R	MERCURY TECHNOLOGY BASE, 24"D x 42"W x 30"H, RIGHT HAND	\$1,444.50	\$1,444.50

CP04 14 Positions

Project: Metropolitan Emergency Comm Center (MECC 911)



Sold to

Company name: Metropolitan Emergency Comm Ctr (MECC 911)
 Contact Person:
 Contact Phone:
 Contact Fax:

Distributor

Company name: THOMAS SHELBY & COMPANY
 Salesman: Mike Shelby
 Salesman Phone: 493943377
 Salesman Fax:

#	Qty	Part Number	Description	Sell	Ext. Sell
46	5	S20-1614-2442	MODIFIED HHC - MERCURY HUB COVER, 24"D x *29.5"H*, *WITH 24" X 42" TOP*, *WITH MIRO BRIDGE LEG AS PER DRAWING*, *WITH 061333, 3" GROMMET FOR CABLE ACCESS IN SURFACE AND IN HUB COVER*	\$623.25	\$3,116.25
47	1	S20-1761-202142L	MODIFIED HGTB - MERCURY TECHNOLOGY BASE, *20"D x 21.5625"W x 41.5"H*, LEFT HAND, *WITH RACK MOUNT RAILS AND FIXED SHELF, AS PER DRAWING*	\$1,264.50	\$1,264.50
48	2	S20-1762-1542	MODIFIED HHC - MERCURY HUB COVER, 15"D x *29.5"H*, *WITH 15" X 42" TOP*, *WITH MIRO BRIDGE LEG AS PER DRAWING*, *WITH 061333, 3" GROMMET FOR CABLE ACCESS IN SURFACE AND IN HUB COVER*	\$618.75	\$1,237.50
49	4	TPM4	DESK TOP PHONE MOUNT, 4 HIGH	\$604.80	\$2,419.20
50	1	TRM3	DESK TOP RACK MOUNT, 3 HIGH	\$407.25	\$407.25
51	12	TXXSTATUS-4LPS	STATUS LIGHT R/Y/G/B WITH POWER SUPPLY	\$792.00	\$9,504.00
52	28	TXXTECHAUDIO25	TECH LINK, STEREO AUDIO JACK, (3.5mm CONNECTOR SIZE) - Black, 25Ft	\$18.00	\$504.00
53	28	TXXTECHDATA25	TECHLINK, DATA JACK (CAT6), RJ45, PASS THROUGH PANEL MOUNT - Black, 25 Ft	\$31.50	\$882.00
54	26	TXXTECHPH25	TECH LINK, PHONE JACK, (RJ11 / RJ12) - Black, 25Ft	\$13.50	\$351.00
55	14	TXXTECHUSB-CHG	TECH LINK, USB CHARGER INSERT	\$72.00	\$1,008.00
56	84	TXXTECHUSB15	TECH LINK, USB INSERT (TYPE A), FEMALE / FEMALE WALL PLATE COUPLER - Black, 15Ft	\$22.50	\$1,890.00
57	14	TXXVARRAYSR	VERTICAL ARRAY MOUNTING ASSEMBLY, SINGLE MONITOR	\$274.50	\$3,843.00
58	7	TXXVESABRKT	MERCURY VESA ADAPTER BRACKET	\$67.50	\$472.50
59	1	WAKEY-STD	MASTER KEY, STANDARD LOCK (082000)	\$0.00	\$0.00
60	4	ZS3LF203642	ZO STORAGE, 3 LATERAL, 20"D x 36"W x 42"H	\$954.00	\$3,816.00
61	1	ZSBKD203042	ZO STORAGE BOOKCASE, DOORS, 20"D x 30"W x 42"H	\$544.50	\$544.50

Subtotal Product \$219,366.45
 INSTALL-WAT \$24,292.00
Total \$243,658.45
Grand Total \$243,658.45

(14) Mercury Pro Consoles - 90" & 84" Primaries -60" Screens

Project:Metropolitan Emergency Comm Center

Columbus

OH

MECC911.11.cmdrw



Sales Rep:

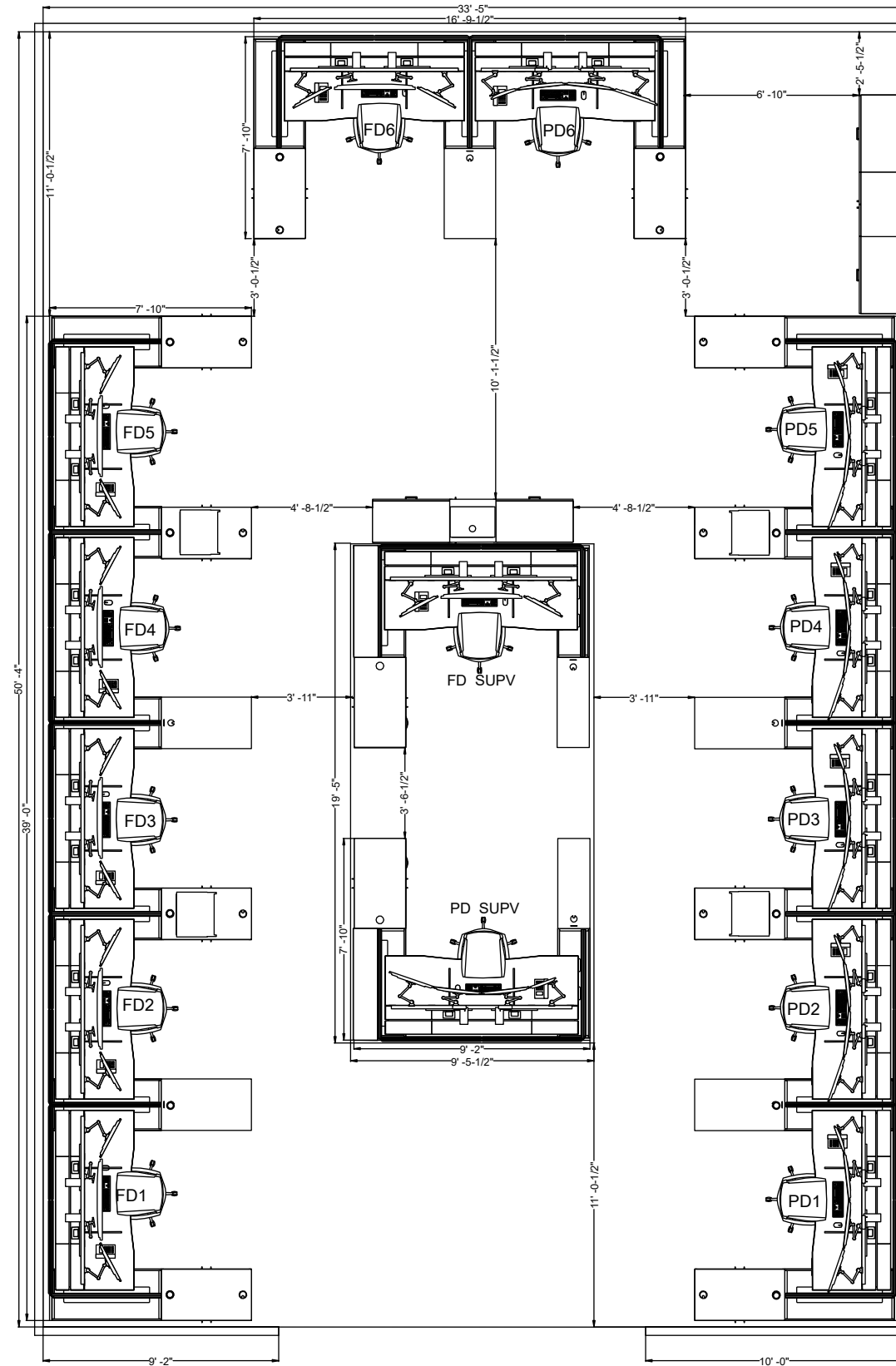
Mike Shelby

Account Manager:

Kelly Dowling

Project Designer:

Destiny Kelley



- REV 05: DK 06/25/20 - Revised Layout
- REV 06: DK 08/07/20 - Revised Tech and Layout
- REV 07: DK 08/12/20 - Revised Layout
- REV 08: DK 08/17/20 - Removed Taks added TPM4s
- REV 09: DK 08/18/20 - Revised Per AM Notes
- REV 10: DK 08/24/20 - Revised Per AM Notes
- REV 11: DK 09/03/20 - Revised Monitors & FSO Package

Scale~1:74

CP 04
Full Room 2D

NOTE: Verify all building dimensions on-site prior to purchase or installation of product. Watson agrees to provide product Symbols that are correct. In turn, the agent or customer is responsible for providing accurate building plans, including dimensions, features, and information required for space planning and installation.

Approved By:

Name

Date

Title

26246 Twelve Trees Lane NW
Poulsbo, WA 98370
www.watsonconsoles.com
360.394.1300

(14) Mercury Pro Consoles - 90" & 84" Primaries -60" Screens

Project: Metropolitan Emergency Comm Center

Columbus

OH

MECC911.11.cmdrw



Sales Rep:

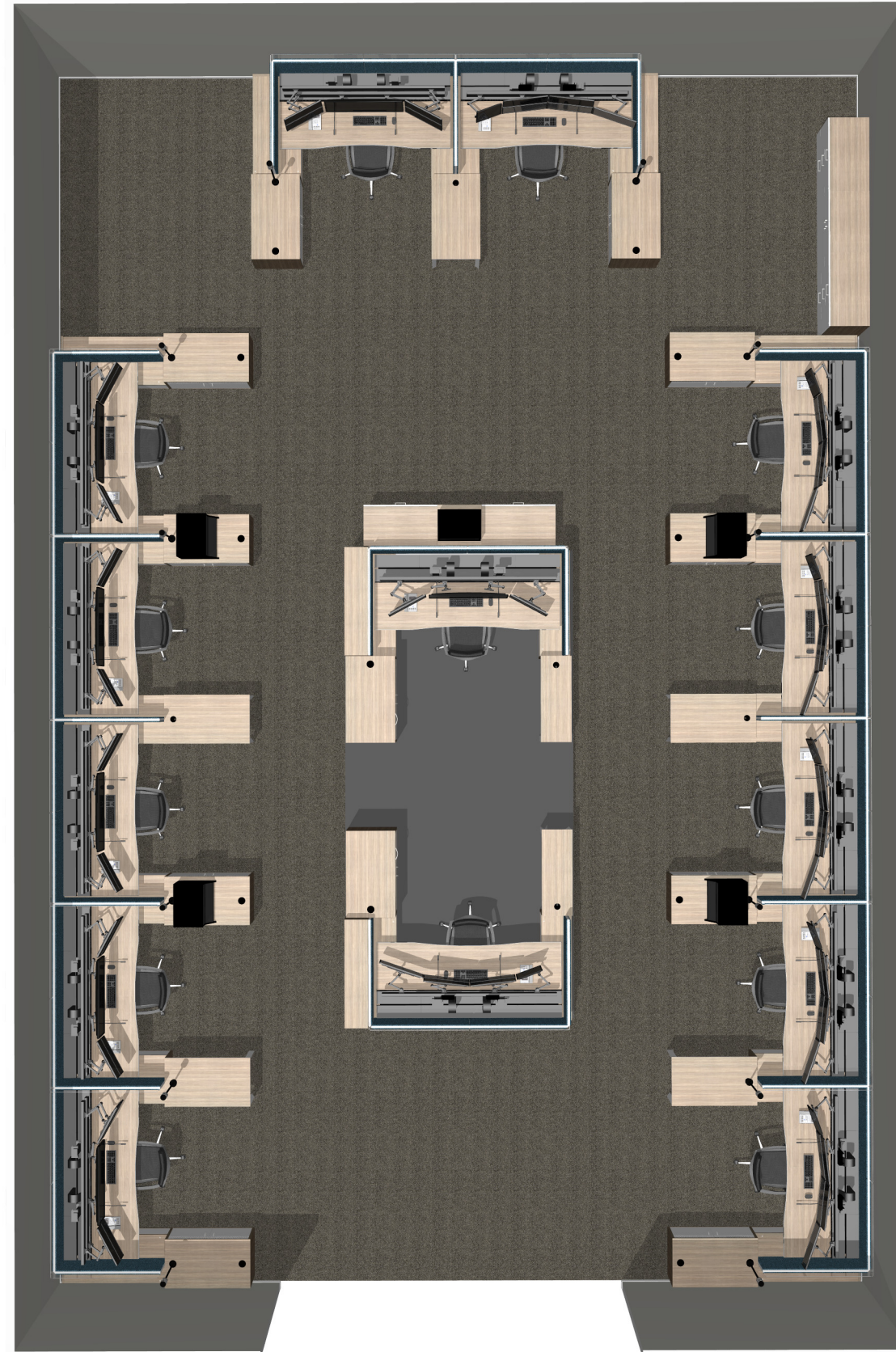
Mike Shelby

Account Manager:

Kelly Dowling

Project Designer:

Destiny Kelley



- REV 05: DK 06/25/20 - Revised Layout
- REV 06: DK 08/07/20 - Revised Tech and Layout
- REV 07: DK 08/12/20 - Revised Layout
- REV 08: DK 08/17/20 - Removed Taks added TPM4s
- REV 09: DK 08/18/20 - Revised Per AM Notes
- REV 10: DK 08/24/20 - Revised Per AM Notes
- REV 11: DK 09/03/20 - Revised Monitors & FSO Package

CP 04
Full Room 3D
Color

NOTE: Verify all building dimensions on-site prior to purchase or installation of product. Watson agrees to provide product Symbols that are correct. In turn, the agent or customer is responsible for providing accurate building plans, including dimensions, features, and information required for space planning and installation.

Approved By:

Name _____

Date _____

Title _____

26246 Twelve Trees Lane NW
Poulsbo, WA 98370
www.watsonconsoles.com
360.394.1300

(14) Mercury Pro Consoles - 90" & 84" Primaries -60" Screens

Project: Metropolitan Emergency Comm Center

Columbus

OH

MECC911.11.cmdrw



Sales Rep:

Mike Shelby

Account Manager:

Kelly Dowling

Project Designer:

Destiny Kelley



- REV 05: DK 06/25/20 - Revised Layout
- REV 06: DK 08/07/20 - Revised Tech and Layout
- REV 07: DK 08/12/20 - Revised Layout
- REV 08: DK 08/17/20 - Removed Taks added TPM4s
- REV 09: DK 08/18/20 - Revised Per AM Notes
- REV 10: DK 08/24/20 - Revised Per AM Notes
- REV 11: DK 09/03/20 - Revised Monitors & FSO Package

CP 04
Full Room 3D
Color

NOTE: Verify all building dimensions on-site prior to purchase or installation of product. Watson agrees to provide product Symbols that are correct. In turn, the agent or customer is responsible for providing accurate building plans, including dimensions, features, and information required for space planning and installation.

Approved By:

Name _____

Date _____

Title _____

26246 Twelve Trees Lane NW
Poulsbo, WA 98370
www.watsonconsoles.com
360.394.1300

(14) Mercury Pro Consoles - 90" & 84" Primaries -60" Screens

Project: Metropolitan Emergency Comm Center

Columbus

OH

MECC911.11.cmdrw



Sales Rep:

Mike Shelby

Account Manager:

Kelly Dowling

Project Designer:

Destiny Kelley



- REV 05: DK 06/25/20 - Revised Layout
- REV 06: DK 08/07/20 - Revised Tech and Layout
- REV 07: DK 08/12/20 - Revised Layout
- REV 08: DK 08/17/20 - Removed Taks added TPM4s
- REV 09: DK 08/18/20 - Revised Per AM Notes
- REV 10: DK 08/24/20 - Revised Per AM Notes
- REV 11: DK 09/03/20 - Revised Monitors & FSO Package

CP 04
Full Room 3D
Color

NOTE: Verify all building dimensions on-site prior to purchase or installation of product. Watson agrees to provide product Symbols that are correct. In turn, the agent or customer is responsible for providing accurate building plans, including dimensions, features, and information required for space planning and installation.

Approved By:

Name _____

Date _____

Title _____

26246 Twelve Trees Lane NW
Poulsbo, WA 98370
www.watsonconsoles.com
360.394.1300

(14) Mercury Pro Consoles - 90" & 84" Primaries -60" Screens

Project: Metropolitan Emergency Comm Center

Columbus

OH

MECC911.11.cmdrw



Sales Rep:

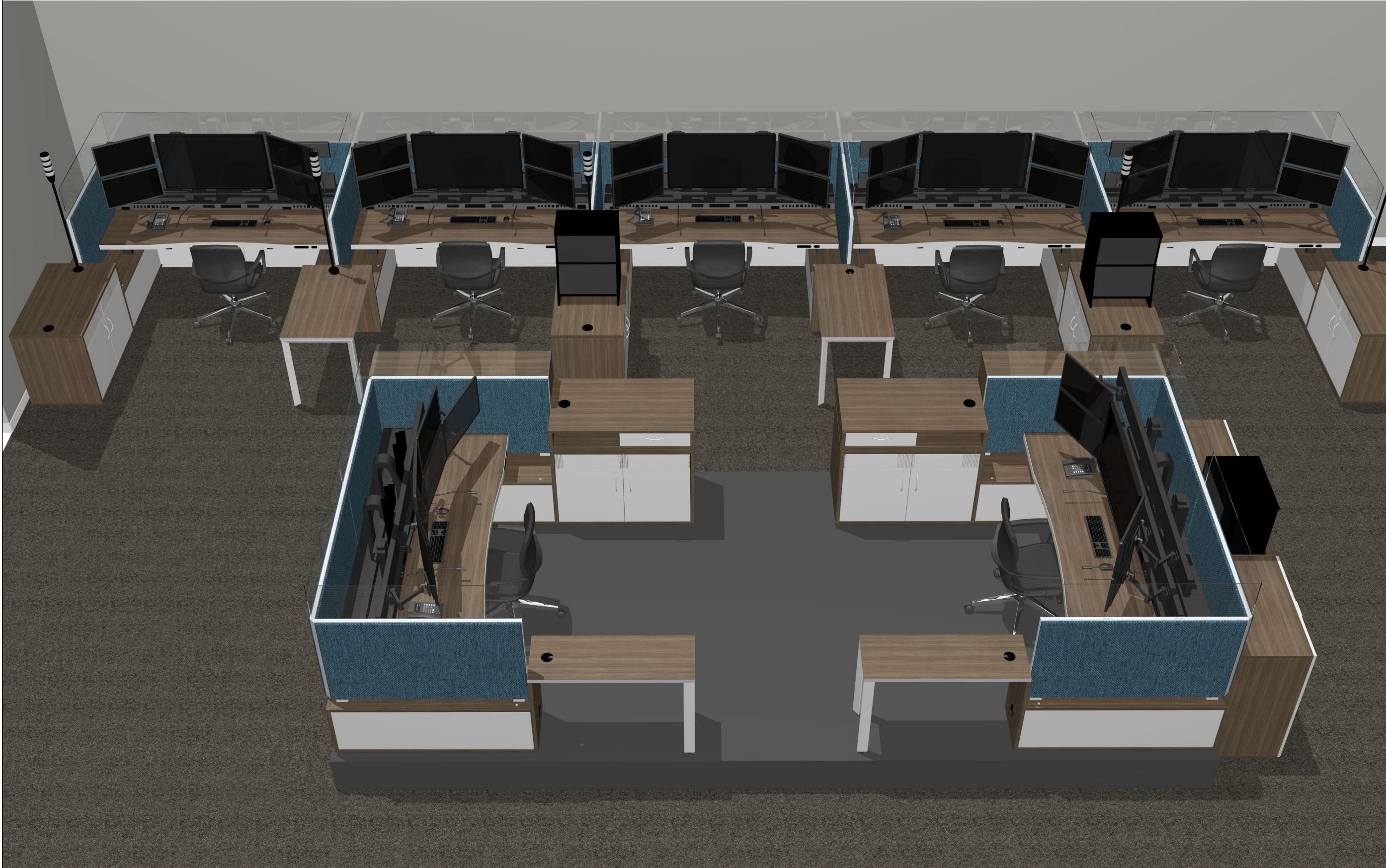
Mike Shelby

Account Manager:

Kelly Dowling

Project Designer:

Destiny Kelley



- REV 05: DK 06/25/20 - Revised Layout
- REV 06: DK 08/07/20 - Revised Tech and Layout
- REV 07: DK 08/12/20 - Revised Layout
- REV 08: DK 08/17/20 - Removed Taks added TPM4s
- REV 09: DK 08/18/20 - Revised Per AM Notes
- REV 10: DK 08/24/20 - Revised Per AM Notes
- REV 11: DK 09/03/20 - Revised Monitors & FSO Package

CP 04
Full Room 3D
Color

NOTE: Verify all building dimensions on-site prior to purchase or installation of product. Watson agrees to provide product Symbols that are correct. In turn, the agent or customer is responsible for providing accurate building plans, including dimensions, features, and information required for space planning and installation.

Approved By:

Name _____

Date _____

Title _____

26246 Twelve Trees Lane NW
Poulsbo, WA 98370
www.watsonconsoles.com
360.394.1300

(14) Mercury Pro Consoles - 90" & 84" Primaries -60" Screens

Project: Metropolitan Emergency Comm Center

Columbus

OH

MECC911.11.cmdrw



Sales Rep:

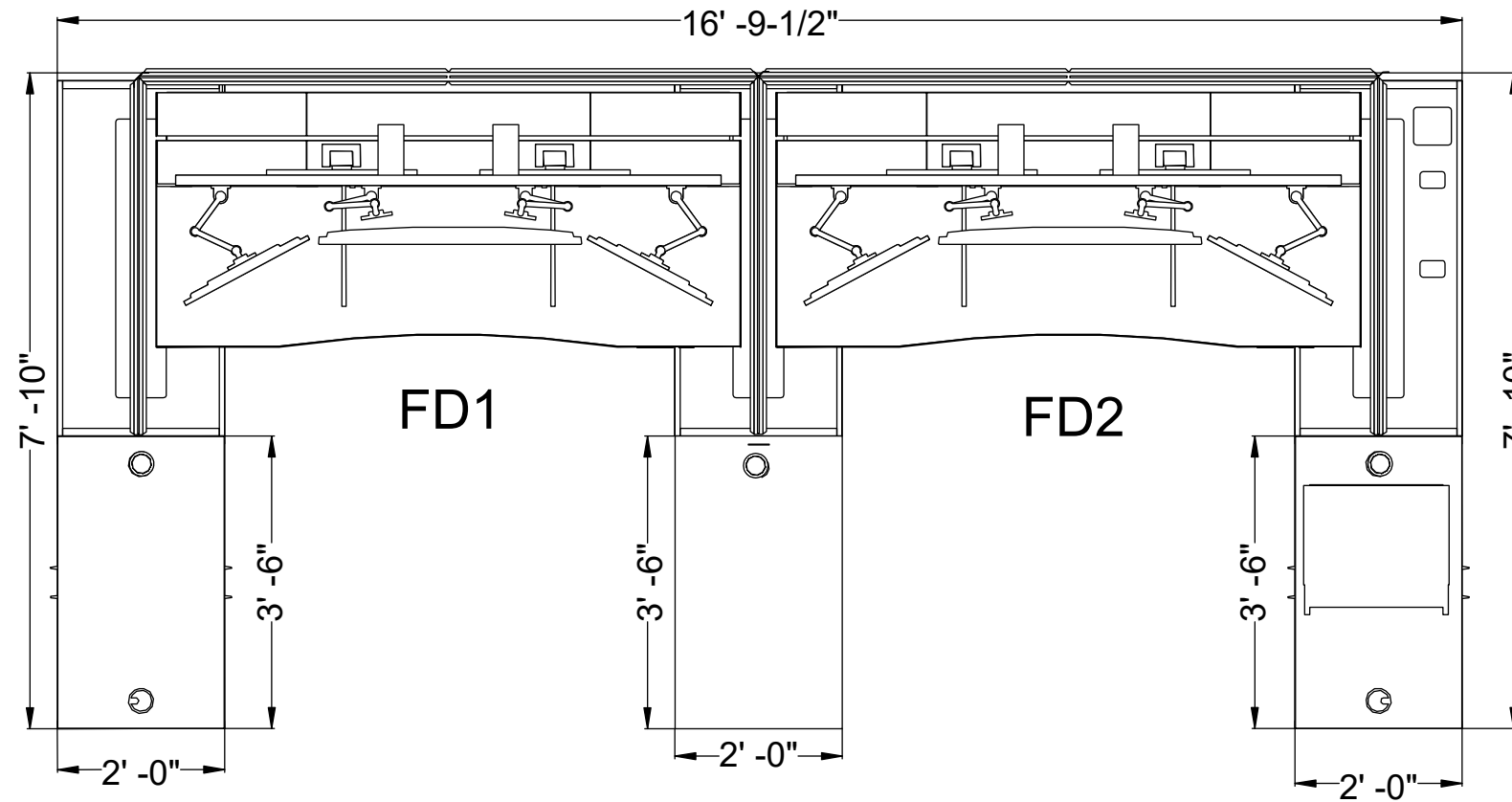
Mike Shelby

Project Manager:

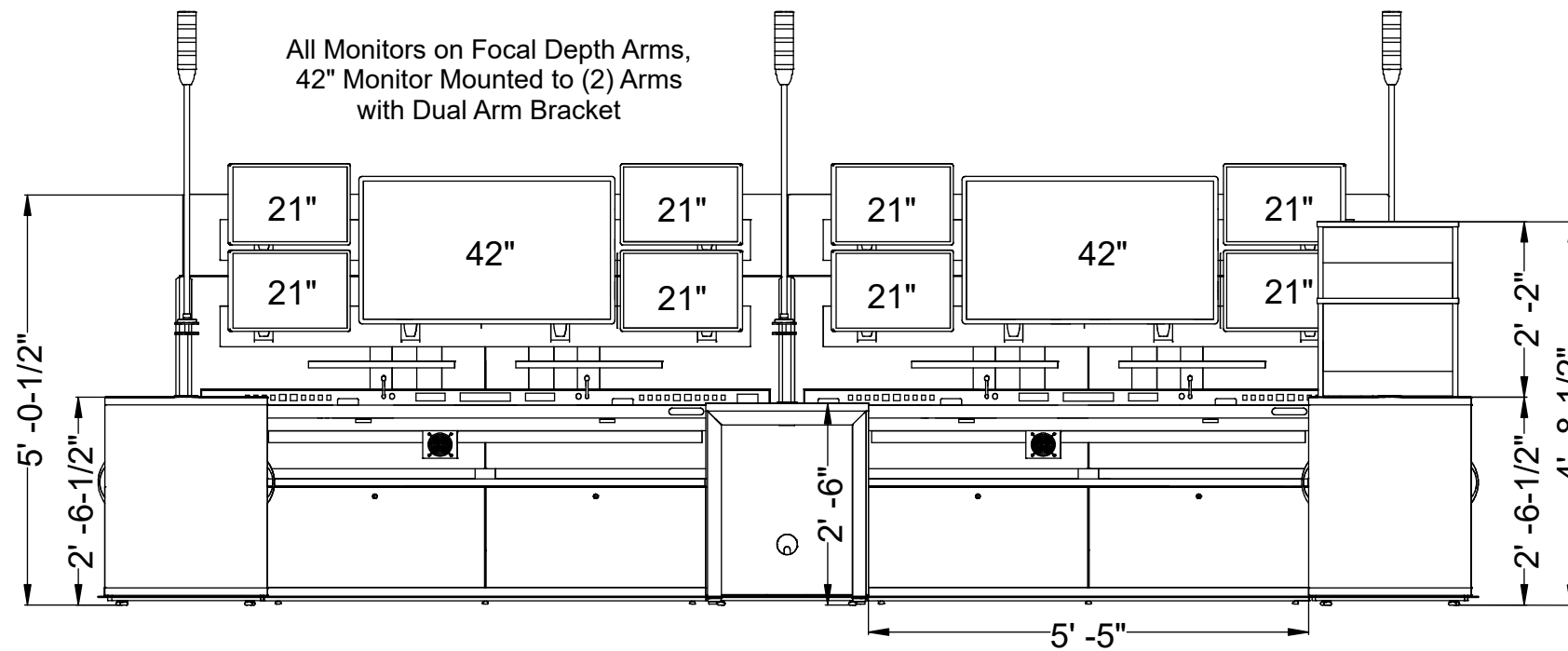
Kelly Dowling

Project Designer:

Destiny Kelley



Scale~1:26



All Monitors on Focal Depth Arms,
42" Monitor Mounted to (2) Arms
with Dual Arm Bracket

Scale~1:26

- REV 05: DK 06/25/20 - Revised Layout
- REV 06: DK 08/07/20 - Revised Tech and Layout
- REV 07: DK 08/12/20 - Revised Layout
- REV 08: DK 08/17/20 - Removed Taks added TPM4s
- REV 09: DK 08/18/20 - Revised Per AM Notes
- REV 10: DK 08/24/20 - Revised Per AM Notes
- REV 11: DK 09/03/20 - Revised Monitors &

CP 04
FD
Typical

NOTE: Verify all building dimensions on-site prior to purchase or installation of product. Watson agrees to provide product Symbols that are correct. In turn, the agent or customer is responsible for providing accurate building plans, including dimensions, features, and information required for space planning and installation.

Approved By:

Name _____

Date _____

Title _____

26246 Twelve Trees Lane NW
Poulsbo, WA 98370
www.watsonconsoles.com
360.394.1300

(14) Mercury Pro Consoles - 90" & 84" Primaries -60" Screens

Project: Metropolitan Emergency Comm Center

Columbus

OH

MECC911.11.cmdrw



Sales Rep:

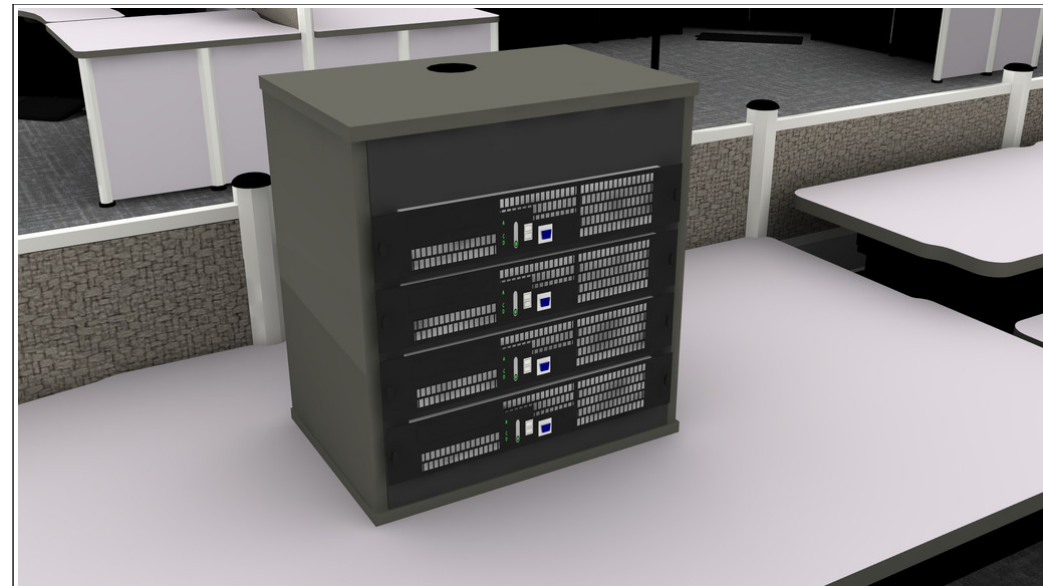
Mike Shelby

Project Manager:

Kelly Dowling

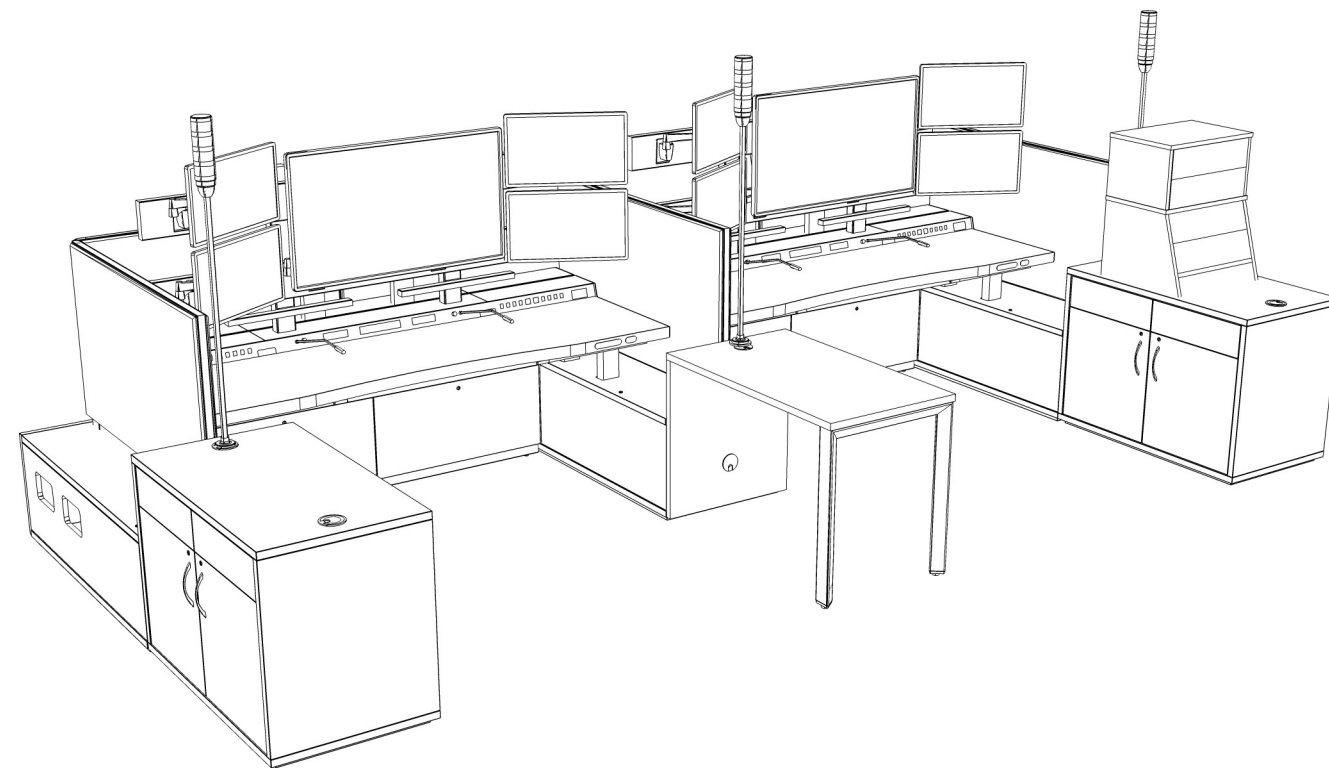
Project Designer:

Destiny Kelley



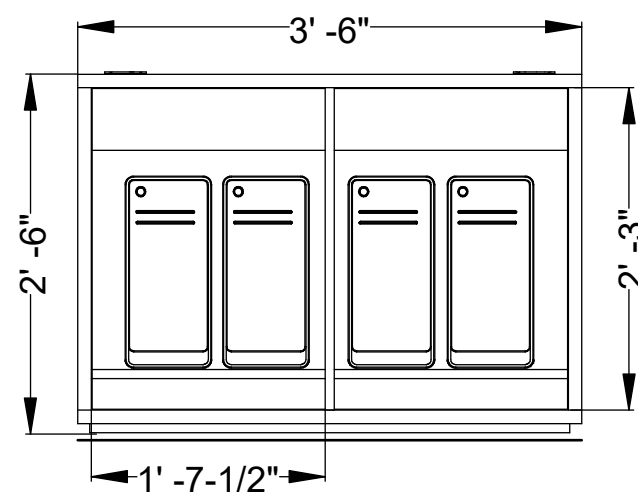
Rack Mount - 4 High

Scale~12" = 1'



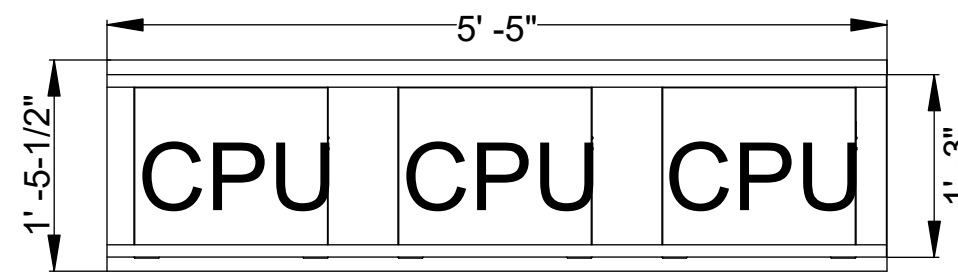
T123

- REV 05: DK 06/25/20 - Revised Layout
- REV 06: DK 08/07/20 - Revised Tech and Layout
- REV 07: DK 08/12/20 - Revised Layout
- REV 08: DK 08/17/20 - Removed Taks added TPM4s
- REV 09: DK 08/18/20 - Revised Per AM Notes
- REV 10: DK 08/24/20 - Revised Per AM Notes
- REV 11: DK 09/03/20 - Revised Monitors &



42" Mercury Technology Base

Scale 3/4" = 1'



Tech Bridge for 84" Primary

Scale 3/4" = 1'

CP 04
FD Typical
Detail

NOTE: Verify all building dimensions on-site prior to purchase or installation of product. Watson agrees to provide product Symbols that are correct. In turn, the agent or customer is responsible for providing accurate building plans, including dimensions, features, and information required for space planning and installation.

Approved By:

Name _____

Date _____

Title _____

26246 Twelve Trees Lane NW
Poulsbo, WA 98370
www.watsondispatch.com
800.426.1202 360.394.1300

(14) Mercury Pro Consoles - 90" & 84" Primaries -60" Screens

Project: Metropolitan Emergency Comm Center

Columbus

OH

MECC911.11.cmdrw



Sales Rep:

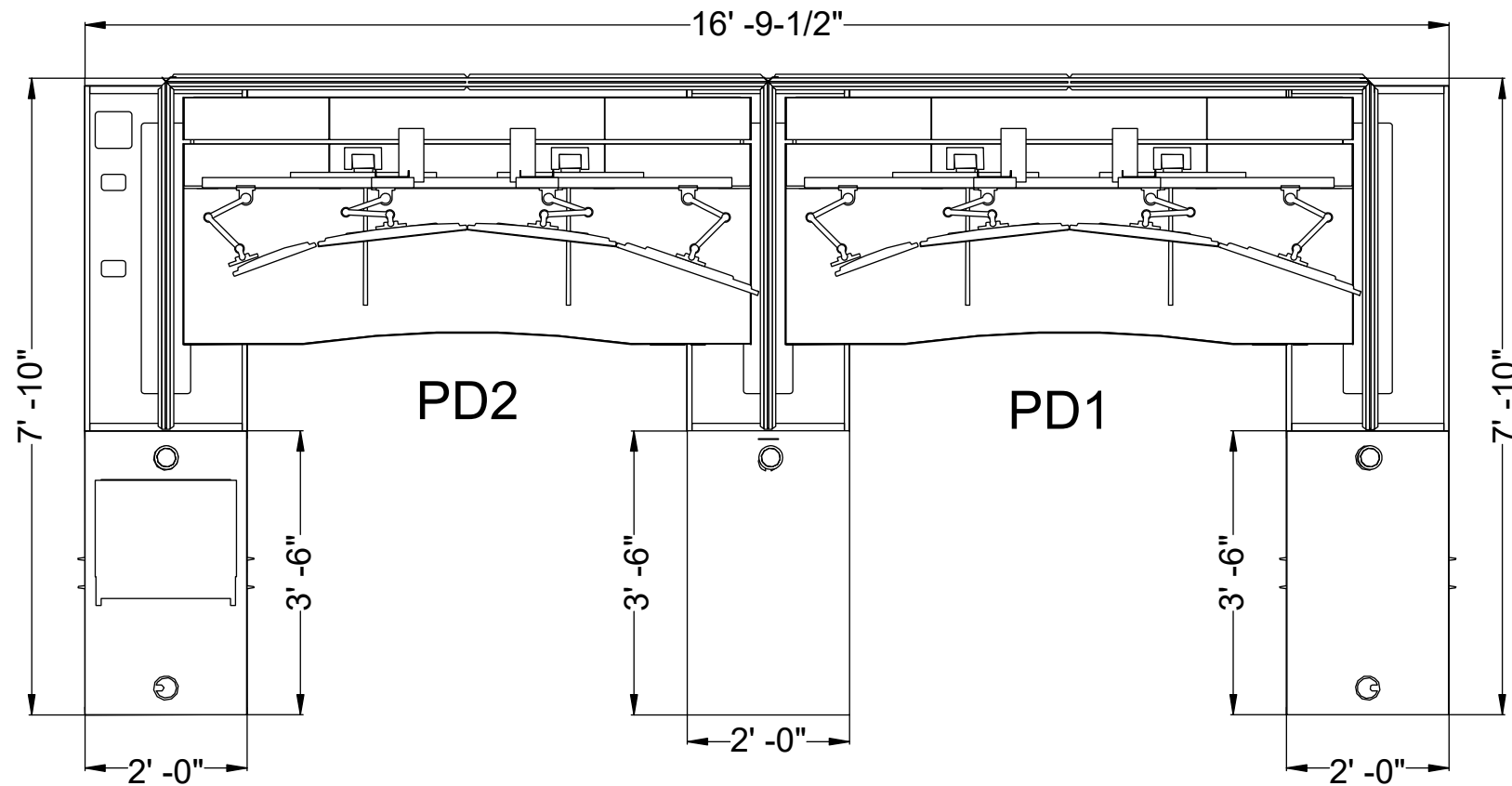
Mike Shelby

Project Manager:

Kelly Dowling

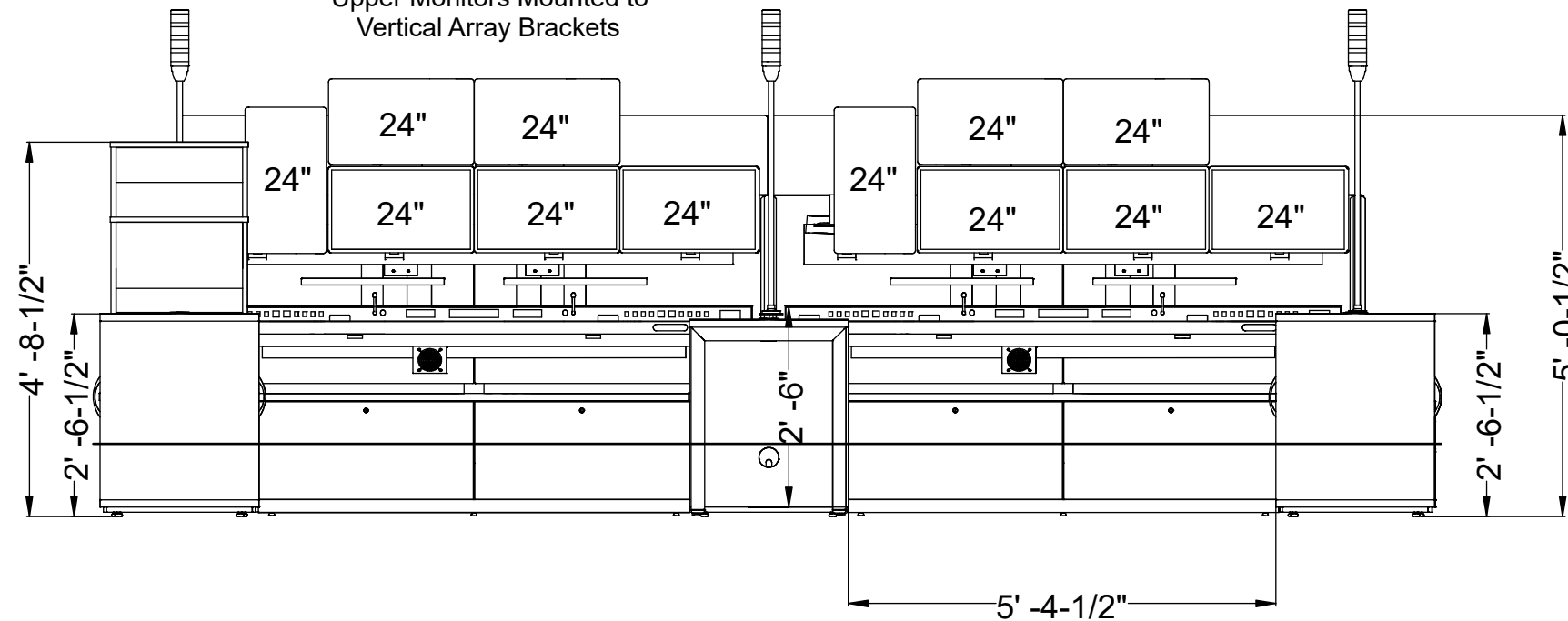
Project Designer:

Destiny Kelley



Scale~1:26

All Monitors on Focal Depth Arms,
Upper Monitors Mounted to
Vertical Array Brackets



Scale~1:26

- REV 05: DK 06/25/20 - Revised Layout
- REV 06: DK 08/07/20 - Revised Tech and Layout
- REV 07: DK 08/12/20 - Revised Layout
- REV 08: DK 08/17/20 - Removed Taks added TPM4s
- REV 09: DK 08/18/20 - Revised Per AM Notes
- REV 10: DK 08/24/20 - Revised Per AM Notes
- REV 11: DK 09/03/20 - Revised Monitors &

CP 04
PD
Typical

NOTE: Verify all building dimensions on-site prior to purchase or installation of product. Watson agrees to provide product Symbols that are correct. In turn, the agent or customer is responsible for providing accurate building plans, including dimensions, features, and information required for space planning and installation.

Approved By:

Name _____

Date _____

Title _____

(14) Mercury Pro Consoles - 90" & 84" Primaries -60" Screens

Project: Metropolitan Emergency Comm Center

Columbus

OH

MECC911.11.cmdrw



Sales Rep:

Mike Shelby

Project Manager:

Kelly Dowling

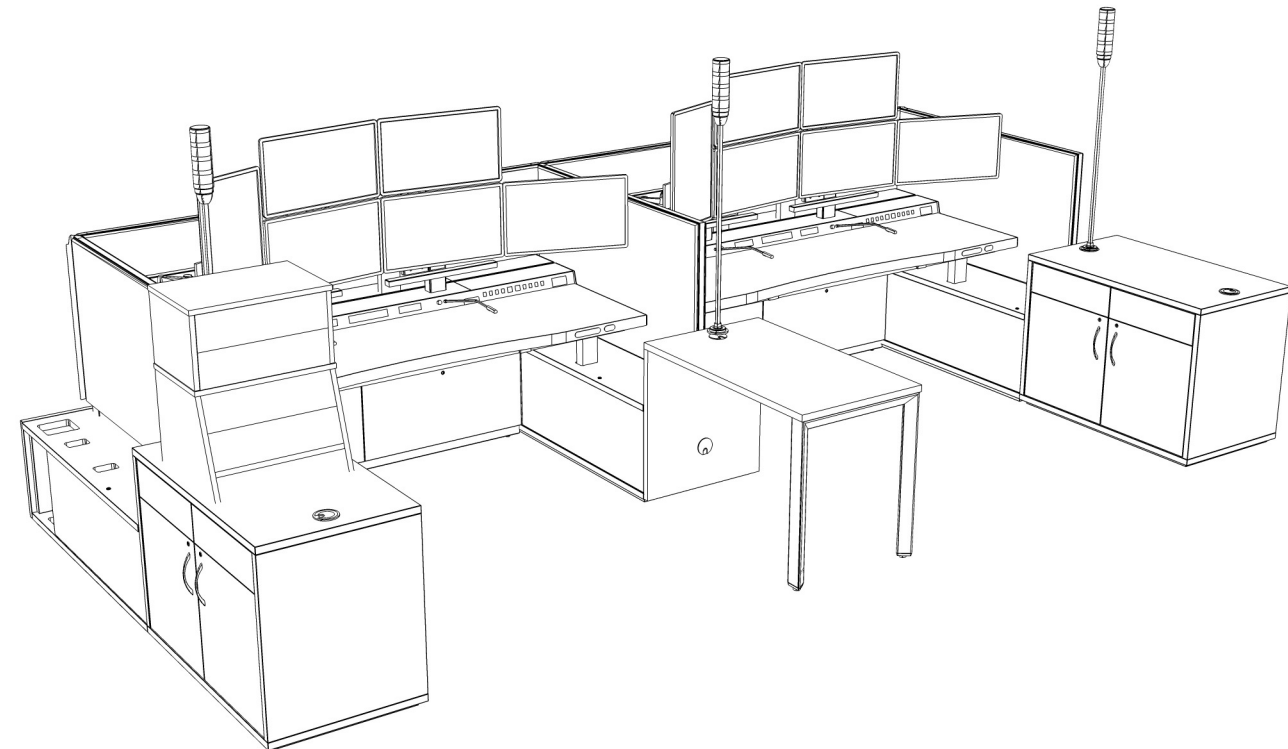
Project Designer:

Destiny Kelley



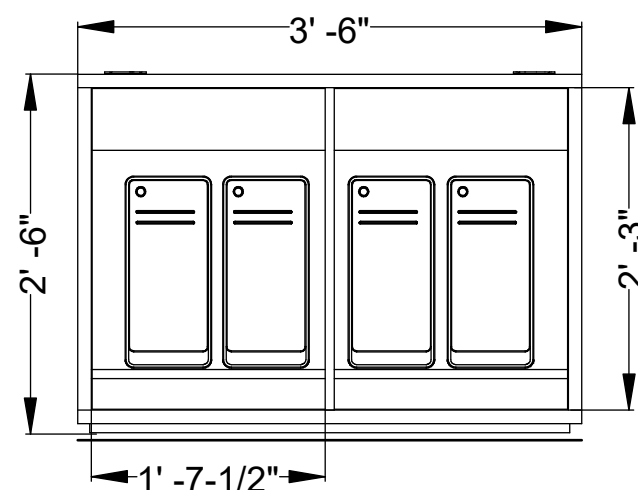
Rack Mount - 4 High

Scale~12" = 1'



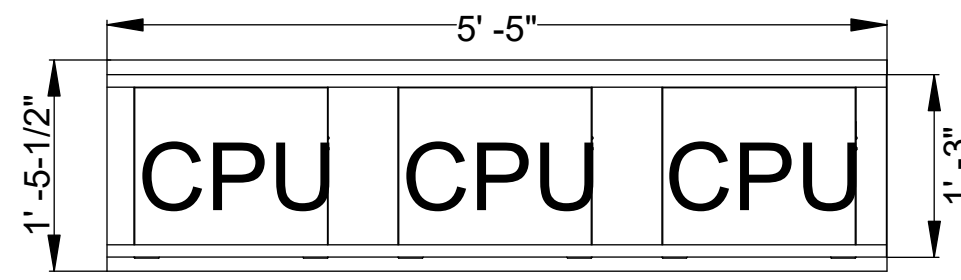
T123

- REV 05: DK 06/25/20 - Revised Layout
- REV 06: DK 08/07/20 - Revised Tech and Layout
- REV 07: DK 08/12/20 - Revised Layout
- REV 08: DK 08/17/20 - Removed Taks added TPM4s
- REV 09: DK 08/18/20 - Revised Per AM Notes
- REV 10: DK 08/24/20 - Revised Per AM Notes
- REV 11: DK 09/03/20 - Revised Monitors &



42" Mercury Technology Base

Scale 3/4" = 1'



Tech Bridge for 84" Primary

Scale 3/4" = 1'

CP 04
PD Typical
Detail

NOTE: Verify all building dimensions on-site prior to purchase or installation of product. Watson agrees to provide product Symbols that are correct. In turn, the agent or customer is responsible for providing accurate building plans, including dimensions, features, and information required for space planning and installation.

Approved By:

Name

Date

Title

26246 Twelve Trees Lane NW
Poulsbo, WA 98370
www.watsondispatch.com
800.426.1202 360.394.1300

(14) Mercury Pro Consoles - 90" & 84" Primaries -60" Screens

Project: Metropolitan Emergency Comm Center

Columbus

OH

MECC911.11.cmdrw



Sales Rep:

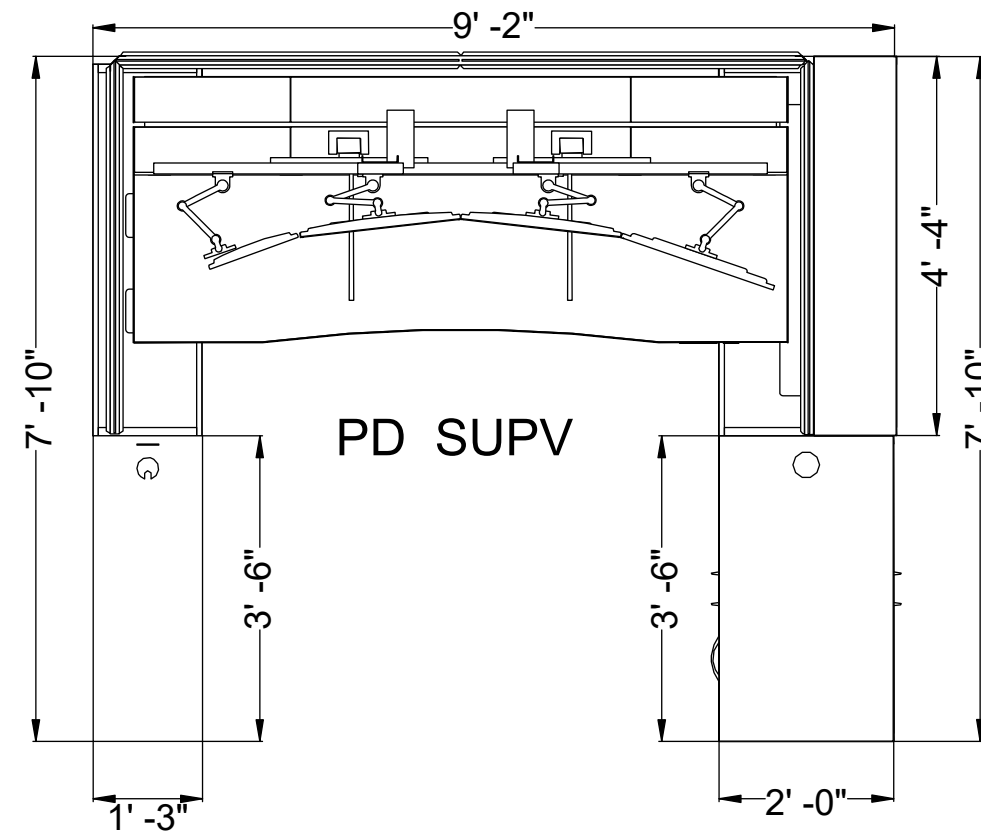
Mike Shelby

Project Manager:

Kelly Dowling

Project Designer:

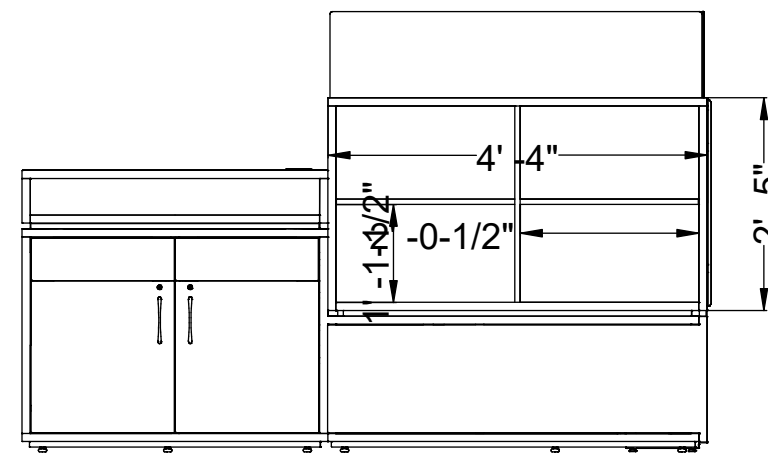
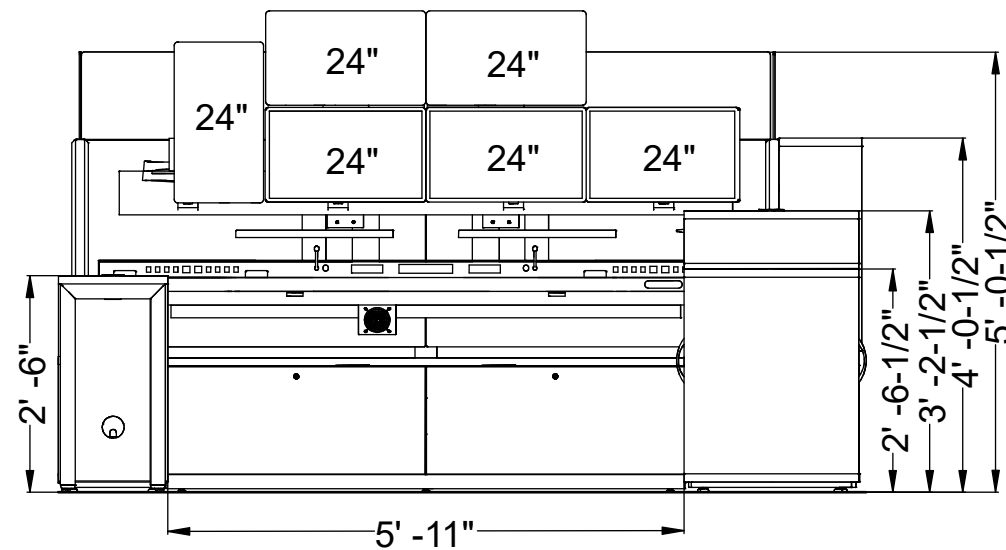
Destiny Kelley



PD SUPV

Scale~1:26

All Monitors on Focal Depth Arms,
Upper Monitors Mounted to
Vertical Array Brackets



Scale~1:26

- REV 05: DK 06/25/20 - Revised Layout
- REV 06: DK 08/07/20 - Revised Tech and Layout
- REV 07: DK 08/12/20 - Revised Layout
- REV 08: DK 08/17/20 - Removed Taks added TPM4s
- REV 09: DK 08/18/20 - Revised Per AM Notes
- REV 10: DK 08/24/20 - Revised Per AM Notes
- REV 11: DK 09/03/20 - Revised Monitors &

CP 04
PD SUPV
Typical

NOTE: Verify all building dimensions on-site prior to purchase or installation of product. Watson agrees to provide product Symbols that are correct. In turn, the agent or customer is responsible for providing accurate building plans, including dimensions, features, and information required for space planning and installation.

Approved By:

Name _____

Date _____

Title _____

26246 Twelve Trees Lane NW
Poulsbo, WA 98370
www.watsonconsoles.com
360.394.1300

(14) Mercury Pro Consoles - 90" & 84" Primaries -60" Screens

Project: Metropolitan Emergency Comm Center

Columbus

OH

MECC911.11.cmdrw



Sales Rep:

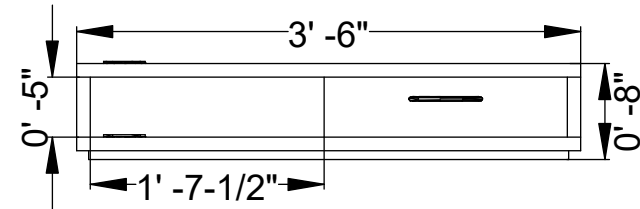
Mike Shelby

Project Manager:

Kelly Dowling

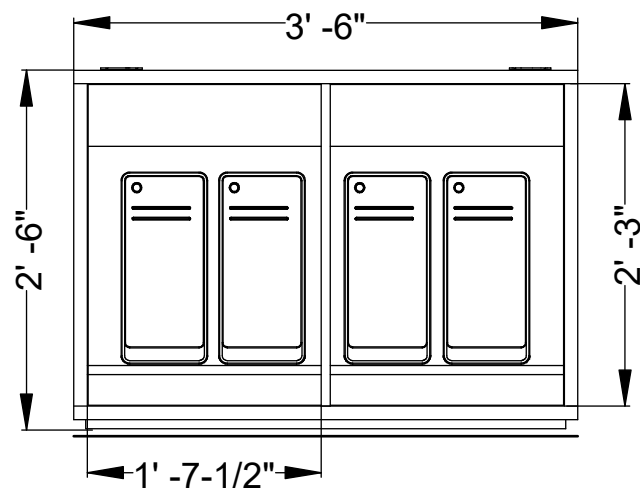
Project Designer:

Destiny Kelley



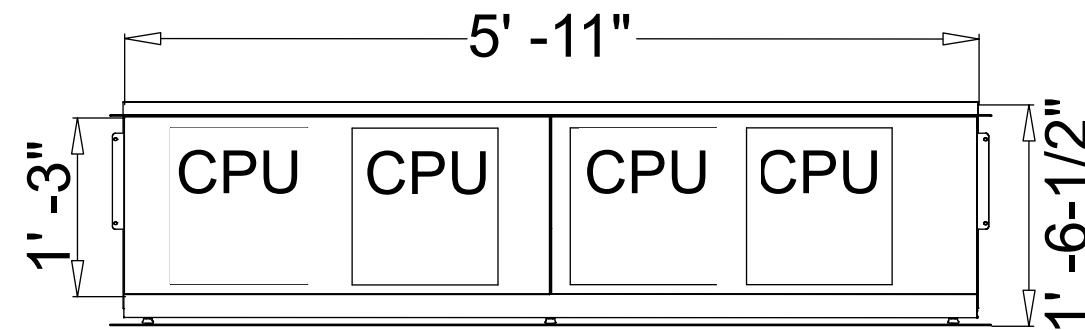
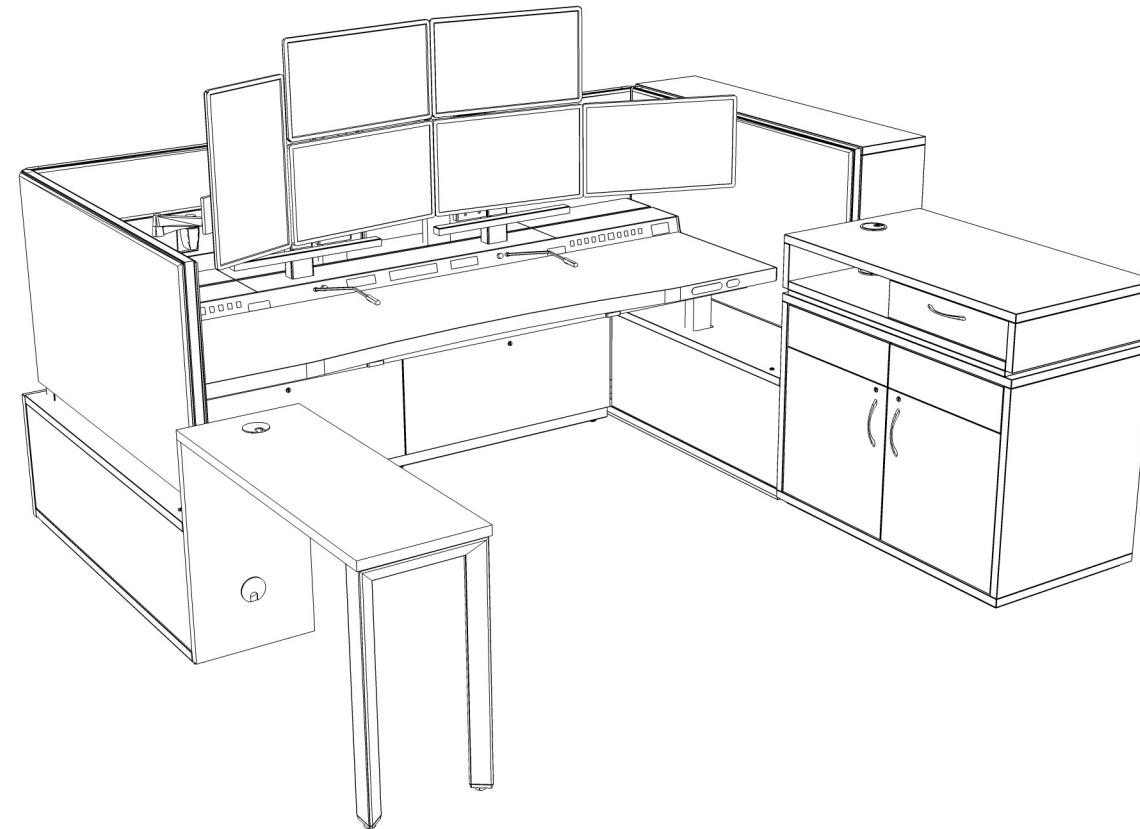
42" Open/Drawer Pallet

Scale 3/4" = 1'



42" Mercury Technology Base

Scale 3/4" = 1'



Tech Bridge for 90" Primary

Scale 3/4" = 1'

CP 04
PD SUPV
Typical
Detail

T123

- REV 05: DK 06/25/20 - Revised Layout
- REV 06: DK 08/07/20 - Revised Tech and Layout
- REV 07: DK 08/12/20 - Revised Layout
- REV 08: DK 08/17/20 - Removed Taks added TPM4s
- REV 09: DK 08/18/20 - Revised Per AM Notes
- REV 10: DK 08/24/20 - Revised Per AM Notes
- REV 11: DK 09/03/20 - Revised Monitors &

NOTE: Verify all building dimensions on-site prior to purchase or installation of product. Watson agrees to provide product Symbols that are correct. In turn, the agent or customer is responsible for providing accurate building plans, including dimensions, features, and information required for space planning and installation.

Approved By:

Name

Date

Title

26246 Twelve Trees Lane NW
Poulsbo, WA 98370
www.watsondispatch.com
800.426.1202 360.394.1300

(14) Mercury Pro Consoles - 90" & 84" Primaries -60" Screens

Project: Metropolitan Emergency Comm Center

Columbus

OH

MECC911.11.cmdrw



Sales Rep:

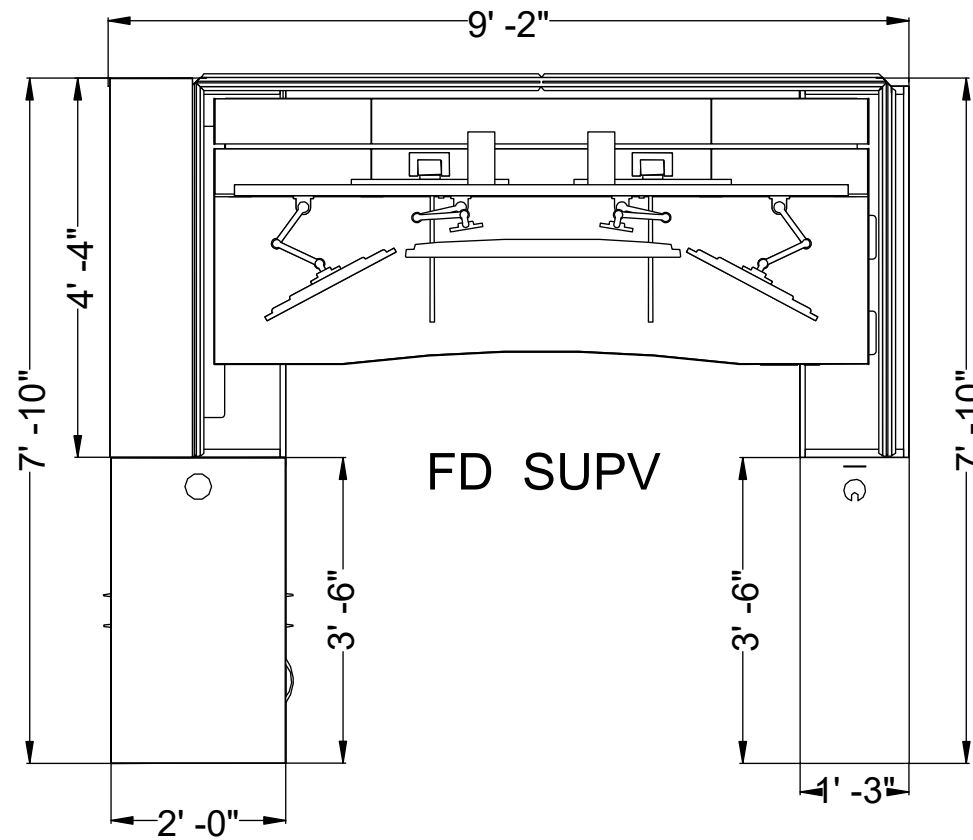
Mike Shelby

Project Manager:

Kelly Dowling

Project Designer:

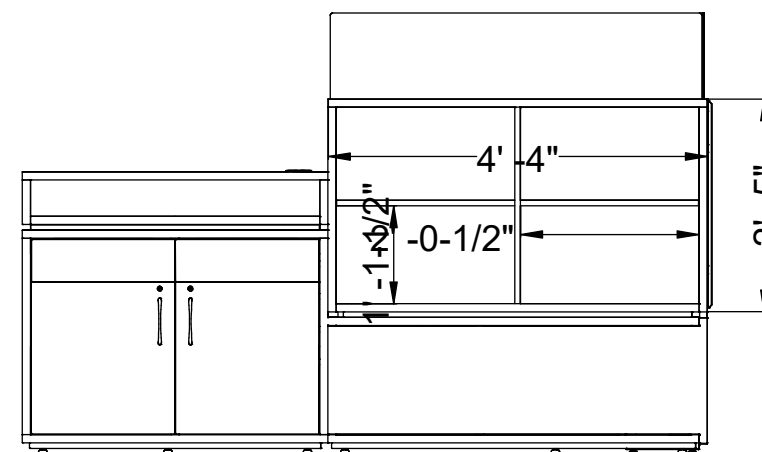
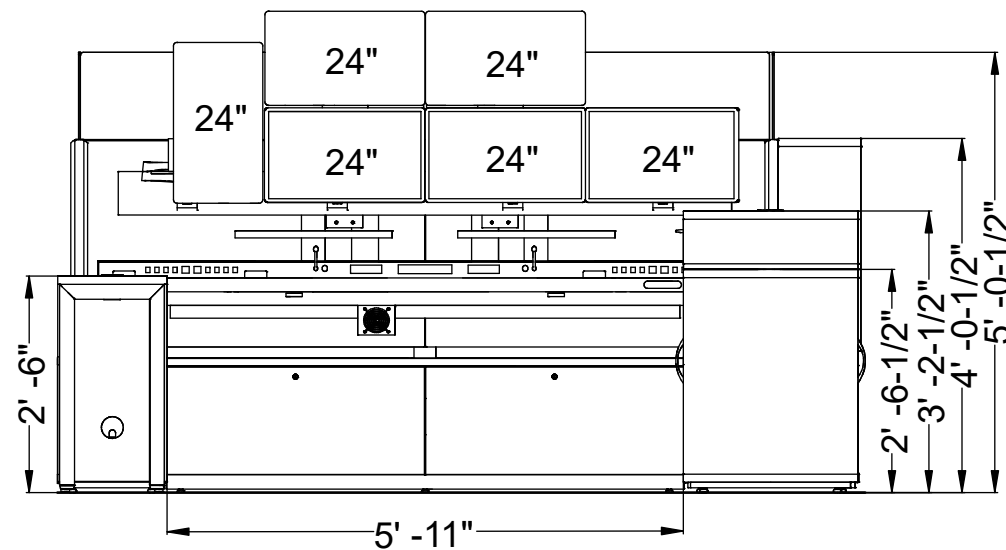
Destiny Kelley



FD SUPV

Scale~1:26

All Monitors on Focal Depth Arms,
Upper Monitors Mounted to
Vertical Array Brackets



Scale~1:26

CP 04
FD SUPV
Typical

NOTE: Verify all building dimensions on-site prior to purchase or installation of product. Watson agrees to provide product Symbols that are correct. In turn, the agent or customer is responsible for providing accurate building plans, including dimensions, features, and information required for space planning and installation.

Approved By:

Name

Date

Title

26246 Twelve Trees Lane NW
Poulsbo, WA 98370
www.watsonconsoles.com
360.394.1300

(14) Mercury Pro Consoles - 90" & 84" Primaries -60" Screens

Project: Metropolitan Emergency Comm Center

Columbus

OH

MECC911.11.cmdrw



Sales Rep:

Mike Shelby

Project Manager:

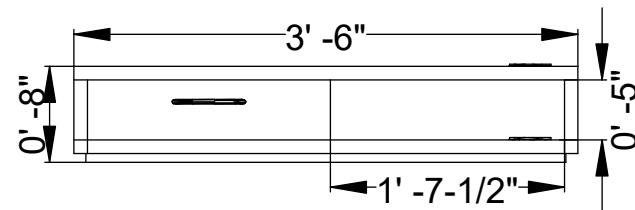
Kelly Dowling

Project Designer:

Destiny Kelley

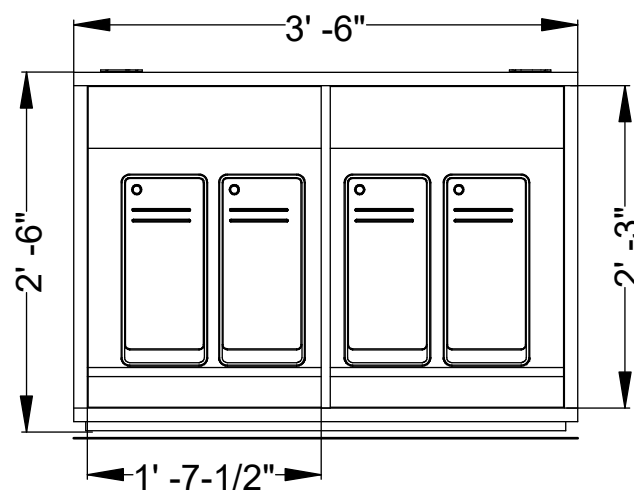
T123

- REV 05: DK 06/25/20 - Revised Layout
- REV 06: DK 08/07/20 - Revised Tech and Layout
- REV 07: DK 08/12/20 - Revised Layout
- REV 08: DK 08/17/20 - Removed Taks added TPM4s
- REV 09: DK 08/18/20 - Revised Per AM Notes
- REV 10: DK 08/24/20 - Revised Per AM Notes
- REV 11: DK 09/03/20 - Revised Monitors &



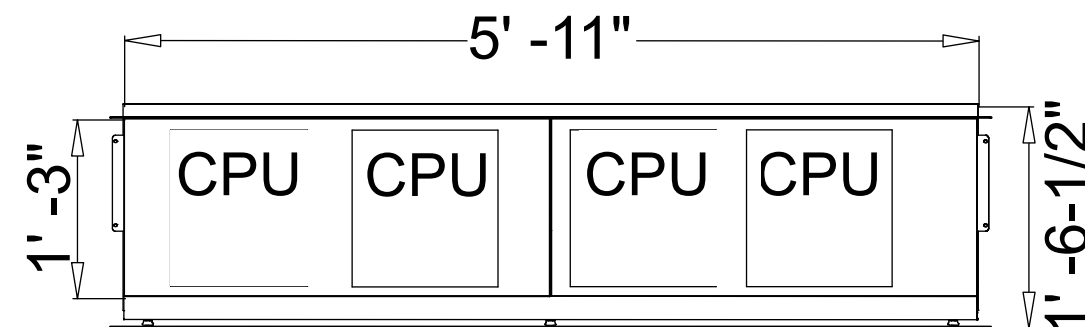
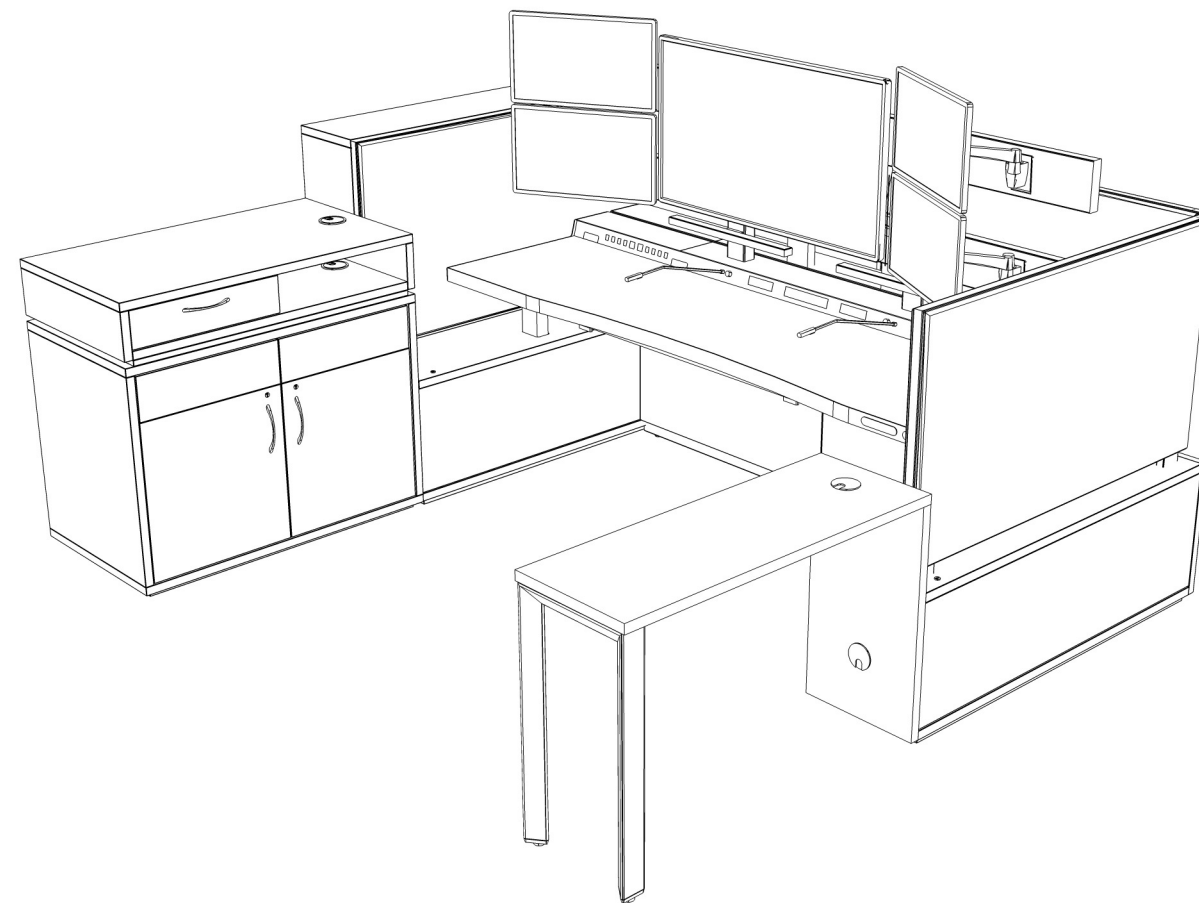
42" Open/Drawer Pallet

Scale 3/4" = 1'



42" Mercury Technology Base

Scale 3/4" = 1'



Tech Bridge for 90" Primary

Scale 3/4" = 1'

CP 04
FD SUPV Typical
Detail

NOTE: Verify all building dimensions on-site prior to purchase or installation of product. Watson agrees to provide product Symbols that are correct. In turn, the agent or customer is responsible for providing accurate building plans, including dimensions, features, and information required for space planning and installation.

Approved By:

Name _____

Date _____

Title _____

26246 Twelve Trees Lane NW
Poulsbo, WA 98370
www.watsondispatch.com
800.426.1202 360.394.1300

(14) Mercury Pro Consoles - 90" & 84" Primaries -60" Screens

Project: Metropolitan Emergency Comm Center

Columbus

OH

MECC911.11.cmdrw



Sales Rep:

Mike Shelby

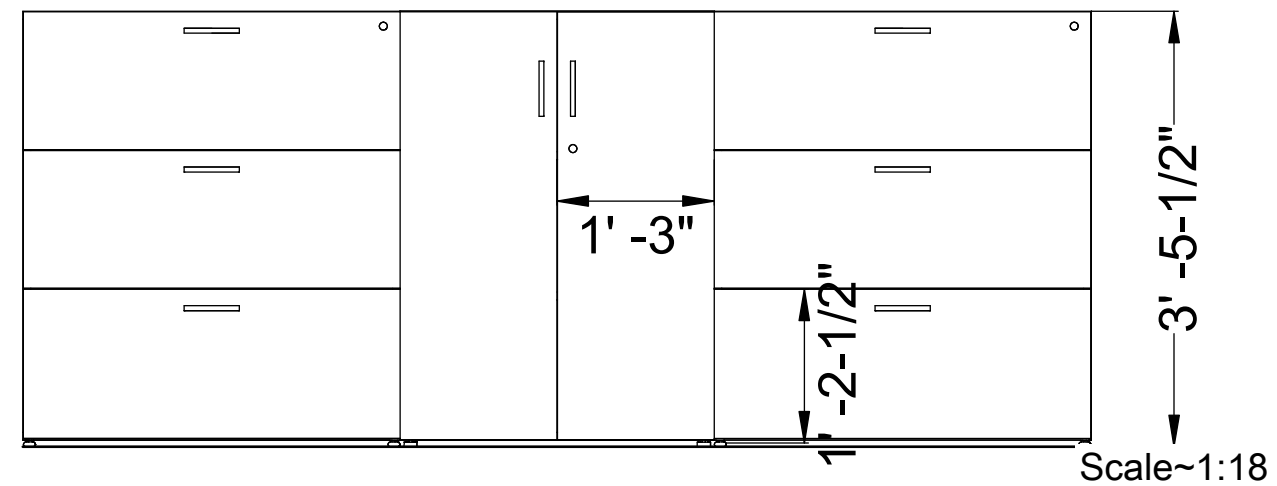
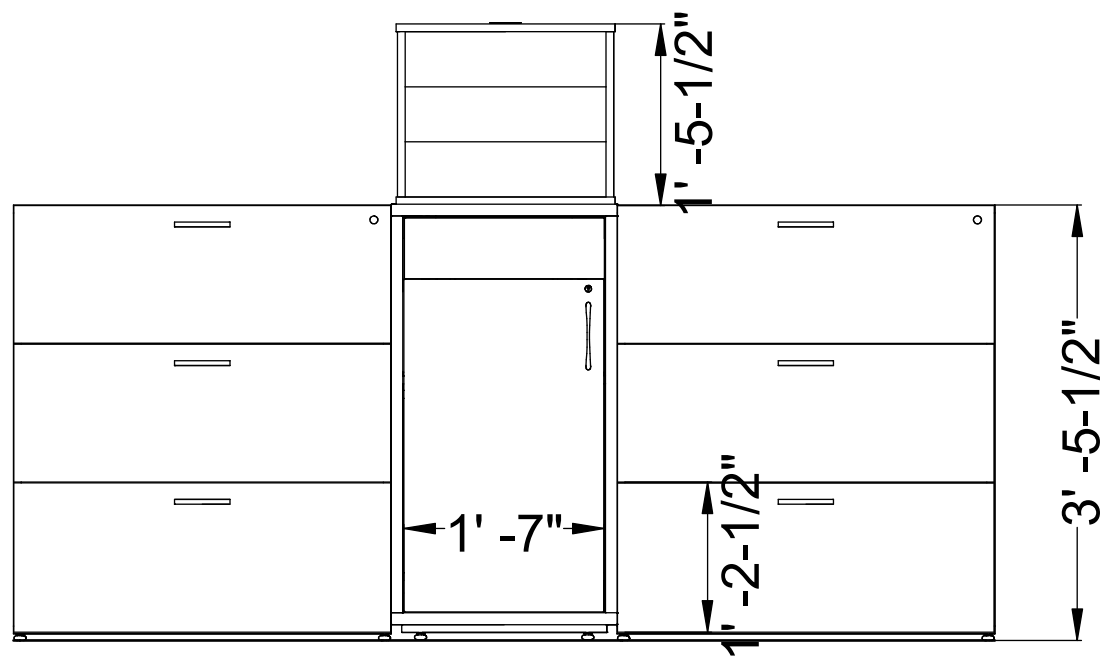
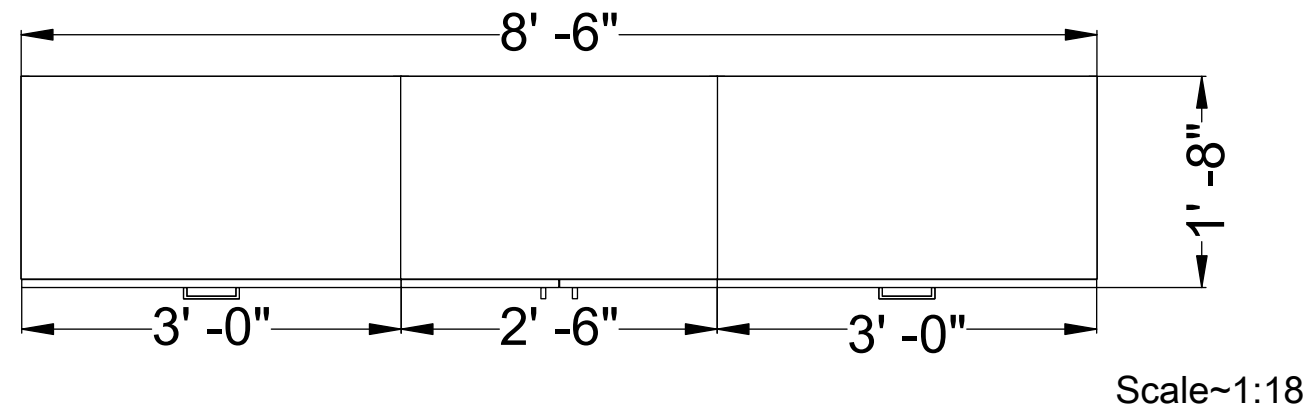
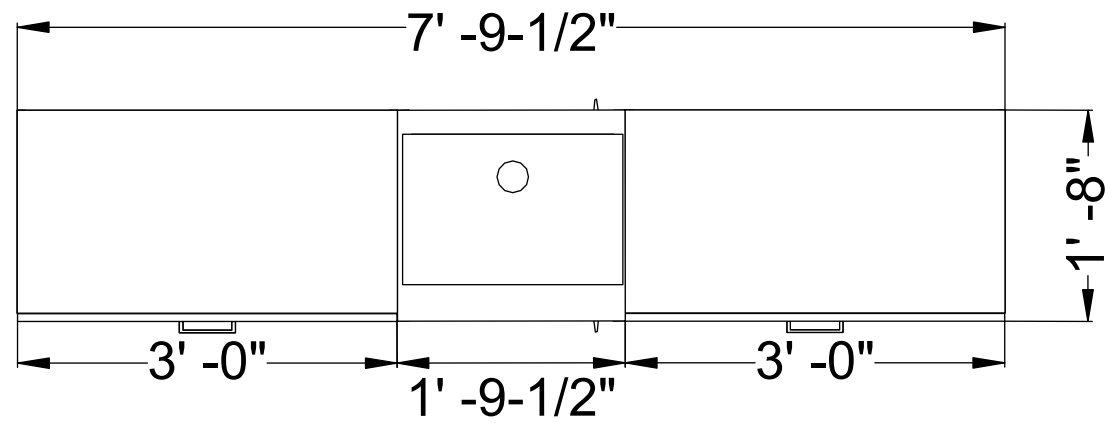
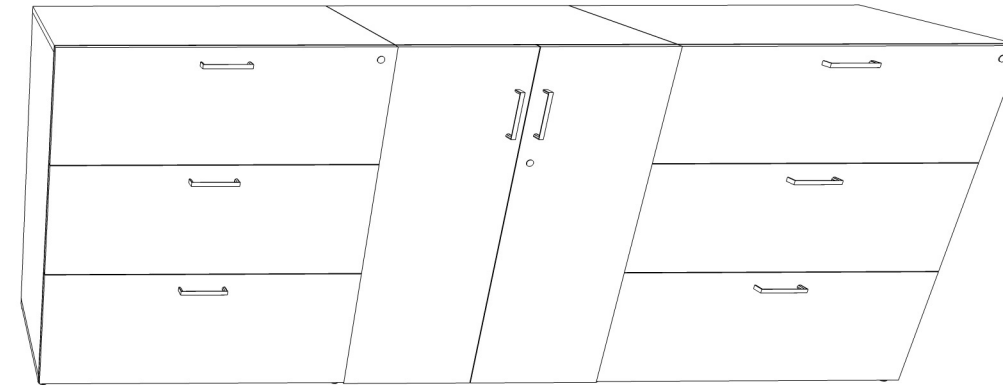
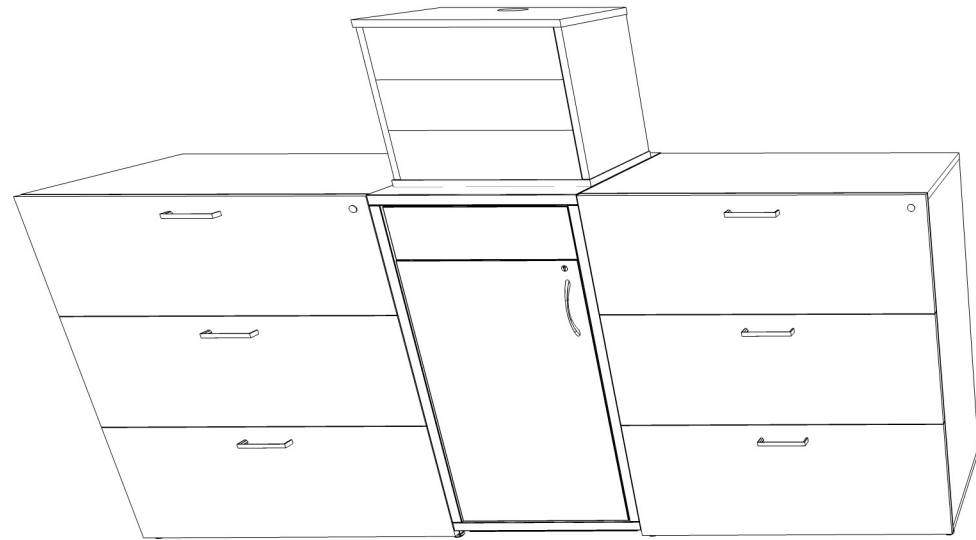
Project Manager:

Kelly Dowling

Project Designer:

Destiny Kelley

REV 05: DK 06/25/20 - Revised Layout
 REV 06: DK 08/07/20 - Revised Tech and Layout
 REV 07: DK 08/12/20 - Revised Layout
 REV 08: DK 08/17/20 - Removed Taks added TPM4s
 REV 09: DK 08/18/20 - Revised Per AM Notes
 REV 10: DK 08/24/20 - Revised Per AM Notes
 REV 11: DK 09/03/20 - Revised Monitors &



CP 04
 Storage
 Typical

NOTE: Verify all building dimensions on-site prior to purchase or installation of product. Watson agrees to provide product Symbols that are correct. In turn, the agent or customer is responsible for providing accurate building plans, including dimensions, features, and information required for space planning and installation.

Approved By:

Name

Date

Title

26246 Twelve Trees Lane NW
 Poulsbo, WA 98370
 www.watsonconsoles.com
 360.394.1300

Sales Rep:

Mike Shelby

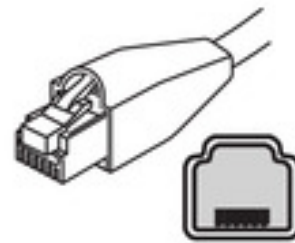
Project Manager:

Kelly Dowling

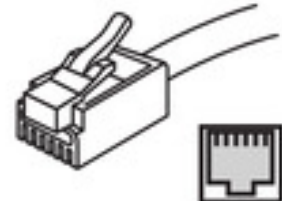
Project Designer:

Destiny Kelley

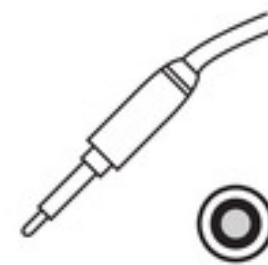
Data Port Types
From the available ports shown, note quantity of ports by specifying type of connection needed.



CAT6/RJ45



RJ12

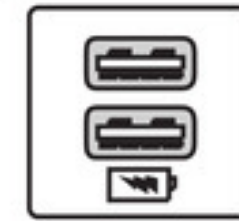


3.5 Stereo



USB-A*

2-USB POWER
Can only be specified in one of the 2 large, center ports

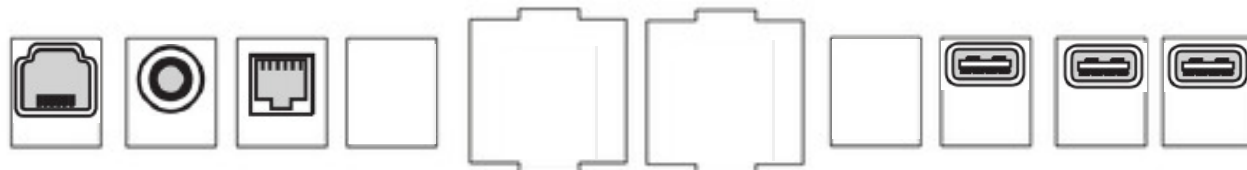


Number Included

Number Included

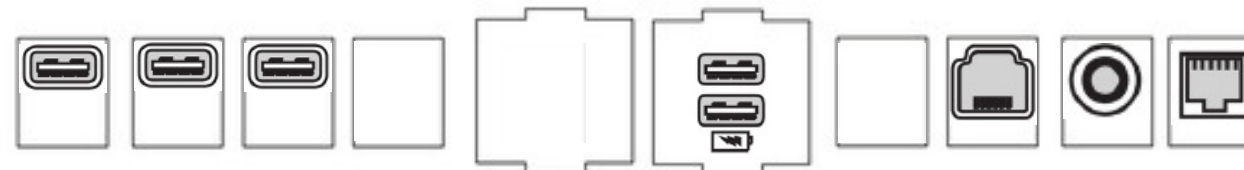
LEFT
User Data Ports

Note - Total Left & Right counts cannot exceed USB Power only available in large ports.



RIGHT
User Data Ports

Note - Total Left & Right counts cannot exceed USB Power only available in large ports.



REAR LEFT
Monitor Data Ports: speakers and/or video touchscreens

SPEAKER BRACKETS
Array Bar Mounted

Total number of speakers

SOUND BAR(S)
Array Bar Mounted

Total number of speakers

REAR RIGHT
Monitor Data Ports: speakers and/or video touchscreens

PC COUNT
LEFT TECH CABINET

PC COUNT
RIGHT TECH CABINET

REV 05: DK 06/25/20 - Revised Layout
 REV 06: DK 08/07/20 - Revised Tech and Layout
 REV 07: DK 08/12/20 - Revised Layout
 REV 08: DK 08/17/20 - Removed Taks added TPM4s
 REV 09: DK 08/18/20 - Revised Per AM Notes
 REV 10: DK 08/24/20 - Revised Per AM Notes
 REV 11: DK 09/03/20 - Revised Monitors &

Typical Technology Dashboard Layout. Please notify your account manager if you would like to add, change or remove any of the technology ports specified in this typical.

NOTE: Verify all building dimensions on-site prior to purchase or installation of product. Watson agrees to provide product Symbols that are correct. In turn, the agent or customer is responsible for providing accurate building plans, including dimensions, features, and information required for space planning and installation.

Approved By:

Name _____ Date _____ Title _____

Sales Rep:

Mike Shelby

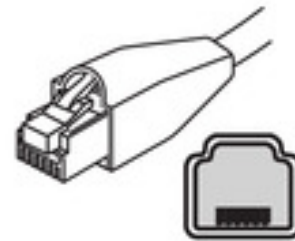
Project Manager:

Kelly Dowling

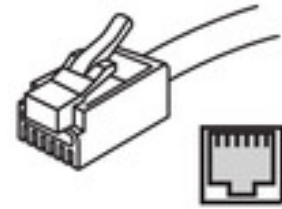
Project Designer:

Destiny Kelley

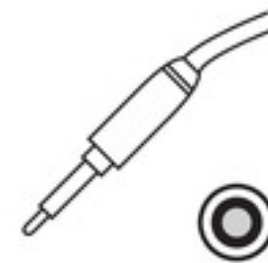
Data Port Types
From the available ports shown, note quantity of ports by specifying type of connection needed.



CAT6/RJ45



RJ12

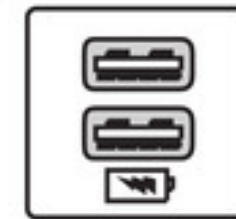


3.5 Stereo



USB-A*

2-USB POWER
Can only be specified in one of the 2 large, center ports

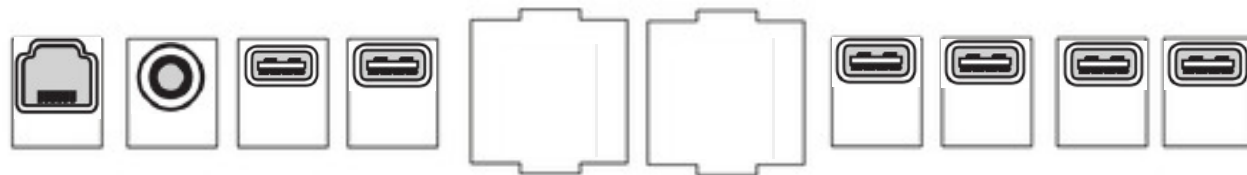


Number Included

Number Included

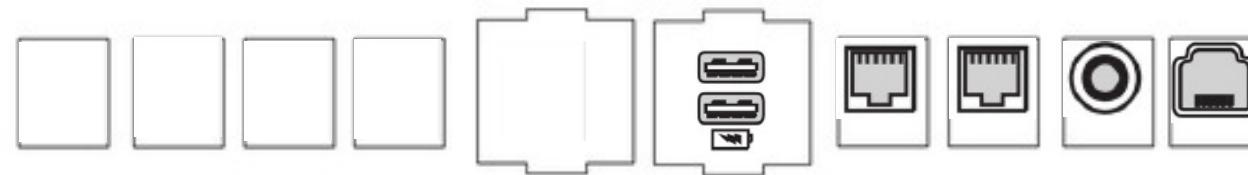
LEFT
User Data Ports

Note - Total Left & Right counts cannot exceed USB Power only available in large ports.



RIGHT
User Data Ports

Note - Total Left & Right counts cannot exceed USB Power only available in large ports.



REAR LEFT
Monitor Data Ports: speakers and/or video touchscreens

SPEAKER BRACKETS
Array Bar Mounted

Total number of speakers

SOUND BAR(S)
Array Bar Mounted

Total number of speakers

REAR RIGHT
Monitor Data Ports: speakers and/or video touchscreens

PC COUNT
LEFT TECH CABINET

PC COUNT
RIGHT TECH CABINET

REV 05: DK 06/25/20 - Revised Layout
 REV 06: DK 08/07/20 - Revised Tech and Layout
 REV 07: DK 08/12/20 - Revised Layout
 REV 08: DK 08/17/20 - Removed Taks added TPM4s
 REV 09: DK 08/18/20 - Revised Per AM Notes
 REV 10: DK 08/24/20 - Revised Per AM Notes
 REV 11: DK 09/03/20 - Revised Monitors &

Typical Technology Dashboard Layout. Please notify your account manager if you would like to add, change or remove any of the technology ports specified in this typical.

NOTE: Verify all building dimensions on-site prior to purchase or installation of product. Watson agrees to provide product Symbols that are correct. In turn, the agent or customer is responsible for providing accurate building plans, including dimensions, features, and information required for space planning and installation.

Approved By:

Name _____ Date _____ Title _____

Sales Rep:

Mike Shelby

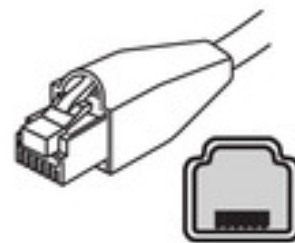
Project Manager:

Kelly Dowling

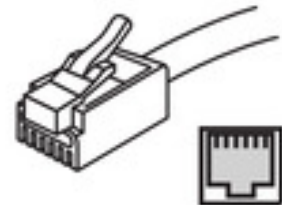
Project Designer:

Destiny Kelley

Data Port Types
From the available ports shown, note quantity of ports by specifying type of connection needed.



CAT6/RJ45



RJ12

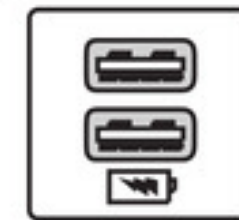


3.5 Stereo



USB-A*

2-USB POWER
Can only be specified in one of the 2 large, center ports



Number Included

1

Number Included

11

LEFT
User Data Ports

Note - Total Left & Right counts cannot exceed USB Power only available in large ports.

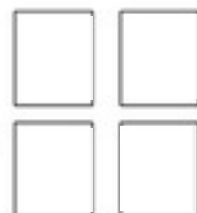


RIGHT
User Data Ports

Note - Total Left & Right counts cannot exceed USB Power only available in large ports.



REAR LEFT
Monitor Data Ports: speakers and/or video touchscreens



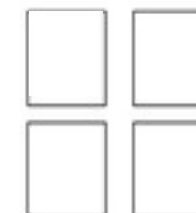
SPEAKER BRACKETS
Array Bar Mounted

Total number of speakers

SOUND BAR(S)
Array Bar Mounted

Total number of speakers

REAR RIGHT
Monitor Data Ports: speakers and/or video touchscreens



PC COUNT
LEFT TECH CABINET

PC COUNT
RIGHT TECH CABINET

REV 05: DK 06/25/20 - Revised Layout
REV 06: DK 08/07/20 - Revised Tech and Layout
REV 07: DK 08/12/20 - Revised Layout
REV 08: DK 08/17/20 - Removed Taks added TPM4s
REV 09: DK 08/18/20 - Revised Per AM Notes
REV 10: DK 08/24/20 - Revised Per AM Notes
REV 11: DK 09/03/20 - Revised Monitors &

Typical Technology Dashboard Layout. Please notify your account manager if you would like to add, change or remove any of the technology ports specified in this typical.

NOTE: Verify all building dimensions on-site prior to purchase or installation of product. Watson agrees to provide product Symbols that are correct. In turn, the agent or customer is responsible for providing accurate building plans, including dimensions, features, and information required for space planning and installation.

Approved By:

Name

Date

Title

(14) Mercury Pro Consoles - 90" & 84" Primaries -60" Screens

Project:Metropolitan Emergency Comm Center

Columbus

OH

MECC911.11.cmdrw



Sales Rep:

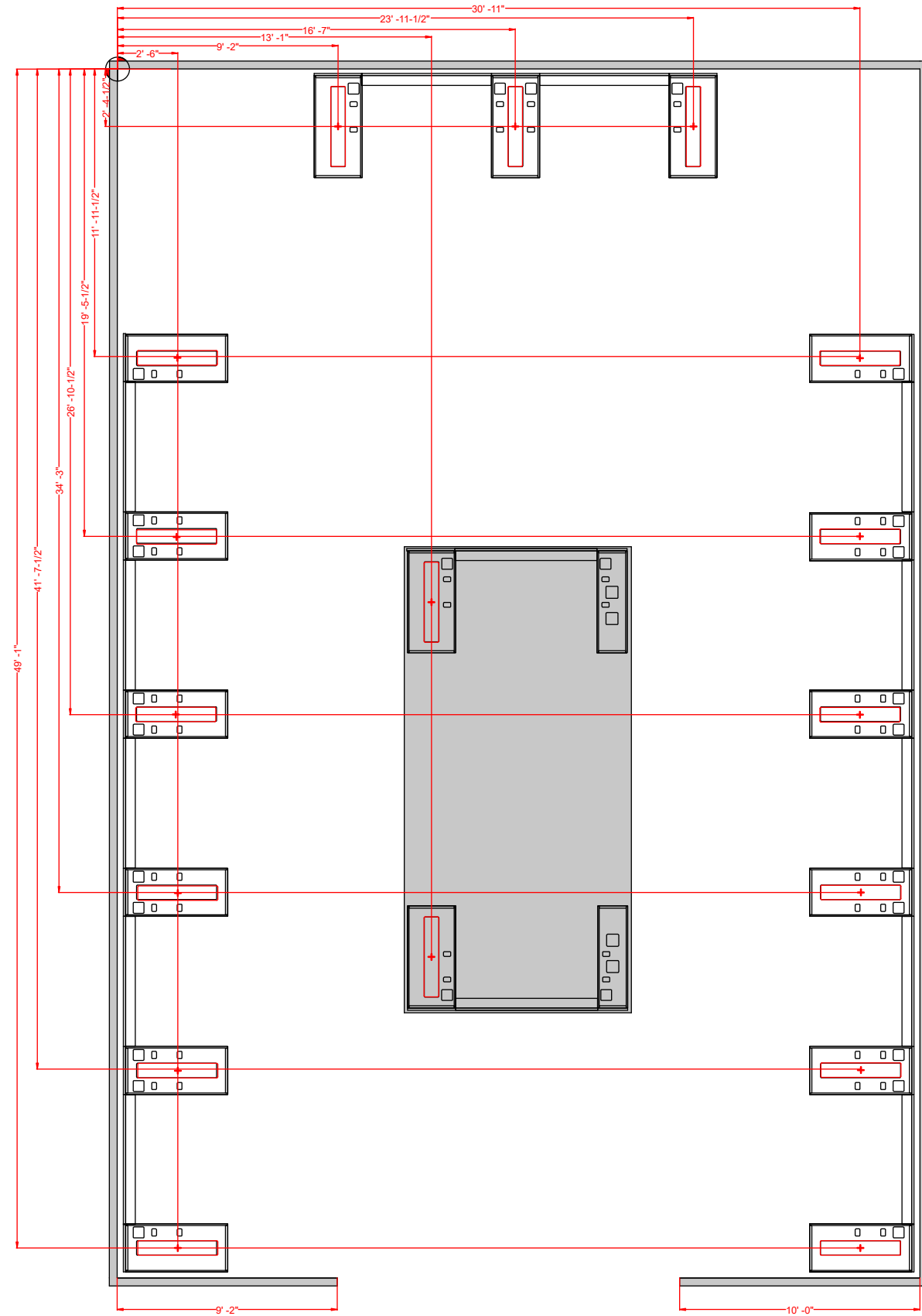
Mike Shelby

Account Manager:

Kelly Dowling

Project Designer:

Destiny Kelley



- REV 05: DK 06/25/20 - Revised Layout
- REV 06: DK 08/07/20 - Revised Tech and Layout
- REV 07: DK 08/12/20 - Revised Layout
- REV 08: DK 08/17/20 - Removed Taks added TPM4s
- REV 09: DK 08/18/20 - Revised Per AM Notes
- REV 10: DK 08/24/20 - Revised Per AM Notes
- REV 11: DK 09/03/20 - Revised Monitors &

Scale~1:74

CP 02
EA

NOTE: Verify all building dimensions on-site prior to purchase or installation of product. Watson agrees to provide product Symbols that are correct. In turn, the agent or customer is responsible for providing accurate building plans, including dimensions, features, and information required for space planning and installation.

Approved By:

Name _____

Date _____

Title _____

26246 Twelve Trees Lane NW
Poulsbo, WA 98370
www.watsonconsoles.com
360.394.1300