



City of Gahanna

200 South Hamilton
Road
Gahanna, Ohio 43230

Signature

Ordinance: ORD-081-2020

File Number: ORD-081-2020

ORDINANCE AUTHORIZING THE MAYOR TO ENTER INTO CONTRACT WITH THOMAS SHELBY AND COMPANY, FOR PURCHASE OF DISPATCH CONSOLES; WAVING SECOND READING; AND DECLARING IT AN EMERGENCY.

WHEREAS, the dispatch consoles will be installed as part of the co-location of emergency communications centers with Mifflin Township located at 400 W. Johnstown Road; and

WHEREAS, the purchase, not to exceed \$124,000.00 will be pursuant to the National Cooperative Purchasing Alliance (NCPA) Contract Number 07-48; and

WHEREAS, it is imperative to move forward with this purchase for the preservation of the public peace, property, health, safety and welfare;

NOW, THEREFORE, BE IT ORDAINED BY THE COUNCIL OF THE CITY OF GAHANNA, STATE OF OHIO:

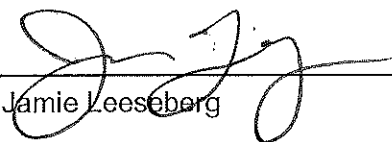
Section 1. That the Mayor is hereby authorized to enter into contract with Thomas Shelby and Company, 309 South Park, St. Marys, Ohio, 45885, for purchase of dispatcher positions manufactured by Watson Consoles under National Cooperative Purchasing Alliance (NCPA) Contract Number 07-48; quote attached as EXHIBIT A, and made a part herein.

Section 2. That pursuant to Gahanna City Code Section 135.05(e)(4) competitive bidding is hereby suspended

Section 3. The second reading is hereby waived.

Section 4. That, for the reasons set forth in the preamble hereinabove, this ordinance is declared emergency legislation and shall be in full force and effect immediately upon passage by this Council and on date of signature approval by the Mayor.

President

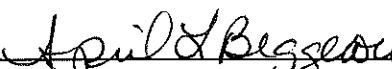


Jamie Leeseberg

Date

10/7/2020

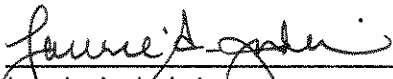
Attest by



April Beggerow, MPA, CMC
Clerk

Date

10/7/2020

Approved by the Mayor 
Laurie A. Jadwin

Date 10.6.2020

Approved as to Form 
Raymond J. Mularski
City Attorney

Date 10-6-2020

Metropolitan Emergency Comm Center (MECC)

Watson Factory Rep Firm: THOMAS SHELBY &	Specified For: Metropolitan Emergency
Address Line 1: 309 SOUTH PARK	Address Line 1: 2455 Agler Road 2455 Agler Road
City: ST. MARY'S	City: Columbus
Zip: 45885	State: OH
Sales Person: Mike Shelby	Contact Name:
Phone Number: 4193943377	Phone Number:
	Email Address:

Project Summary:

(14) Mercury Pro Consoles - 90" & 84" Primaries -60" Screens
 NCPA Contract Pricing #07-48 - Freight Included in Contract Pricing

Each Position Includes:

Electronically Height Adjustable Work Surface **with Techlink
 Adjustable Monitor Array with Individually Adjustable Monitor Arms - as per Drawings
 Built-In Surface Multi Ports for Power/Voice/Data
 Environment Control Package - Includes Forced Air Heat, Cooling Fans, LED Ambient Lighting, LED Task Lighting
 Technology Bridge and cabinets with Active Ventilation to Accommodate (4) PC's
 Storage and Rack Mounts as per Drawings
 3-Light Status Lights for DP Positions

12 Technology Ports to Include:

- 6 - USB ports
- 2 - CAT6 RJ45 Data ports
- 2 - 3.5mm Stereo ports
- 1 - RJ11/RJ12 Phone port
- 1 - USB Charger ports

Installation based on empty room, one trip, 1st floor, and with no prevailing wage or union requireme

1. State and Local Taxes will apply unless proof of exemption is provided with the Purchase Order.
2. Deposit may be required with order; Net 30 days of Shipment of Product.
3. Chairs are for representational purposes only.
4. Lead time average 60 days after receipt of Purchase Order.
5. Completed Order consists of a signed Contract or Purchase Order, Signed Drawings, Signed Color Selection Sheet, and Deposit.
6. Change Order Fee (minimum \$500) may be applicable for changes after 5 business days of submission.
7. Pricing will be valid for four (4) months after receipt of Purchase Order. Any orders that have not been manufactured within this time frame may be subject to a price change.

LIFETIME PLUS 10 WARRANTY - At no additional cost to you. No other manufacturer offers this level of protection.

<https://www.watsonconsoles.com/resources/literature>

Quote Date	9/3/2020	Expiration Date	12/3/2020	Watson Account Manager:	Kelly Dowling
Remit To:	Watson Consoles 26246 Twelve Trees Lane NW Poulsbo WA 98370			Watson Factory Rep Firm:	THOMAS SHELBY & COMPANY
				Prepared By:	Destiny Kelley
<small>This Document is Confidential & Proprietary (C) 2017 Watson Furniture Group, Inc. All Rights Reserved</small>				File Name:	MECC911.11.cmdrw

CP04 14 Positions

Project: Metropolitan Emergency Comm Center (MECC 911)



Sold to

Company name: Metropolitan Emergency Comm Ctr (MECC 911)
 Contact Person:
 Contact Phone:
 Contact Fax:

Distributor

Company name: THOMAS SHELBY & COMPANY
 Salesman: Mike Shelby
 Salesman Phone: 43943377
 Salesman Fax:

#	Qty	Part Number	Description	Sell	Ext. Sell
1	1	HD6H155118L-N	MERCURY PRO HUB, 15"D x 51"W x 18"H, LEFT HAND, NO GROMMET	\$1,593.00	\$1,593.00
2	1	HD6H155118R-N	MERCURY PRO HUB, 15"D x 51"W x 18"H, RIGHT HAND, NO GROMMET	\$1,593.00	\$1,593.00
3	5	HD6H245118C	MERCURY PRO HUB, 24"D x 51"W x 18"H, CENTER	\$2,801.25	\$14,006.25
4	4	HD6H245118C	MERCURY PRO HUB, 24"D x 51"W x 18"H, CENTER	\$2,801.25	\$11,205.00
5	1	HD6H245118L-G	MERCURY PRO HUB, 24"D x 51"W x 18"H, LEFT HAND, WITH GROMMET	\$1,750.50	\$1,750.50
6	3	HD6H245118L-N	MERCURY PRO HUB, 24"D x 51"W x 18"H, LEFT HAND, NO GROMMET	\$1,728.00	\$5,184.00
7	1	HD6H245118R-G	MERCURY PRO HUB, 24"D x 51"W x 18"H, RIGHT HAND, WITH GROMMET	\$1,750.50	\$1,750.50
8	1	HD6H245118R-N	MERCURY PRO HUB, 24"D x 51"W x 18"H, RIGHT HAND, NO GROMMET	\$1,728.00	\$1,728.00
9	2	HD6H245118R-N	MERCURY PRO HUB, 24"D x 51"W x 18"H, RIGHT HAND, NO GROMMET	\$1,728.00	\$3,456.00
10	6	HD6W3684D	MERCURY PRO WORKSURFACE WITH DEPTH ADJUSTMENT, 36"D x 84"W x 24-50"H, WITH CONTOUR EDGE, DUAL MONITOR ARRAY	\$5,737.50	\$34,425.00
11	6	HD6W3684S	MERCURY PRO WORKSURFACE WITH DEPTH ADJUSTMENT, 36"D x 84"W x 24-50"H, WITH CONTOUR EDGE, SINGLE MONITOR ARRAY	\$5,328.00	\$31,968.00
12	1	HD6W3690D	MERCURY PRO WORKSURFACE WITH DEPTH ADJUSTMENT, 36"D x 90"W x 24-50"H, WITH CONTOUR EDGE, DUAL MONITOR ARRAY	\$5,769.00	\$5,769.00
13	1	HD6W3690S	MERCURY PRO WORKSURFACE WITH DEPTH ADJUSTMENT, 36"D x 90"W x 24-50"H, WITH CONTOUR EDGE, SINGLE MONITOR ARRAY	\$5,359.50	\$5,359.50
14	12	HG6TS84G	MERCURY TECH BRIDGE, SINGLE SIDED 12" D X 18"H, FOR A 84"W CONSOLE, WITH GROMMET	\$540.00	\$6,480.00
15	2	HG6TS90N	MERCURY TECH BRIDGE, SINGLE SIDED 12" D X 18"H, FOR A 90"W CONSOLE, NO GROMMET	\$531.00	\$1,062.00
16	6	HGA	MERCURY ARRAY	\$900.00	\$5,400.00
17	6	HGA	MERCURY ARRAY	\$567.00	\$3,402.00
18	6	HGA	MERCURY ARRAY	\$900.00	\$5,400.00
19	1	HGA	MERCURY ARRAY	\$913.50	\$913.50
20	1	HGA	MERCURY ARRAY	\$580.50	\$580.50
21	1	HGA	MERCURY ARRAY	\$913.50	\$913.50
22	1	HGBS1518S-L	MERCURY BRIDGE SPACER, 15"D x 18"H SINGLE, LEFT HAND	\$40.50	\$40.50
23	1	HGBS1518S-R	MERCURY BRIDGE SPACER, 15"D x 18"H SINGLE, RIGHT HAND	\$40.50	\$40.50
24	9	HGBS2418D-C	MERCURY BRIDGE SPACER, 24"D x 18"H DUAL, CENTER	\$54.00	\$486.00
25	3	HGBS2418D-L	MERCURY BRIDGE SPACER, 24"D x 18"H DUAL, LEFT HAND	\$54.00	\$162.00
26	3	HGBS2418D-R	MERCURY BRIDGE SPACER, 24"D x 18"H DUAL, RIGHT HAND	\$54.00	\$162.00
27	1	HGBS2418S-L	MERCURY BRIDGE SPACER, 24"D x 18"H SINGLE, LEFT HAND	\$54.00	\$54.00
28	1	HGBS2418S-R	MERCURY BRIDGE SPACER, 24"D x 18"H SINGLE, RIGHT HAND	\$54.00	\$54.00
29	2	HGESS05148ST	MERCURY END STACKER STORAGE, OPEN, 11.375"D X 51"W X 48"H, SINGLE WITH STORAGE	\$337.50	\$675.00
30	1	HGPPOB24428L	MERCURY PERSONAL PALLET, OPEN BOX, 24"D x 42"W x 8"H, LEFT HAND	\$432.00	\$432.00
31	1	HGPPOB24428R	MERCURY PERSONAL PALLET, OPEN BOX, 24"D x 42"W x 8"H, RIGHT HAND	\$432.00	\$432.00
32	5	HGSOCBKT48L	MERCURY OUTSIDE CORNER BRACKET, 48"H	\$22.50	\$112.50
33	5	HGSOCBKT48R	MERCURY OUTSIDE CORNER BRACKET, 48"H	\$22.50	\$112.50
34	17	HGSR5160FAC	MERCURY RETURN SCREEN, 51"W x 60"H, FABRIC AND 12" CLEAR ACRYLIC	\$616.50	\$10,480.50
35	1	HGSRE5160FAC	MERCURY RETURN SCREEN, SINGLE FABRIC PANEL AND CLEAR ACRYLIC, 51"W x 60"H	\$499.50	\$499.50
36	1	HGSRE5160FAC	MERCURY RETURN SCREEN, SINGLE FABRIC PANEL AND CLEAR ACRYLIC, 51"W x 60"H	\$499.50	\$499.50
37	12	HGSS8460FAC	MERCURY SPINE SCREEN, 84"W x 60"H, FABRIC AND 12" CLEAR ACRYLIC	\$1,008.00	\$12,096.00
38	2	HGSS9060FAC	MERCURY SPINE SCREEN, 90"W x 60"H, FABRIC AND 12" CLEAR ACRYLIC	\$1,021.50	\$2,043.00
39	7	HGSWIBKT48	MERCURY INSIDE CORNER BRACKET, 48"H	\$18.00	\$126.00
40	2	HGSWIBKT48	MERCURY INSIDE CORNER BRACKET, 48"H	\$18.00	\$36.00
41	1	HGTB244230L	MERCURY TECHNOLOGY BASE, 24"D x 42"W x 30"H, LEFT HAND	\$1,273.50	\$1,273.50
42	4	HGTB244230L	MERCURY TECHNOLOGY BASE, 24"D x 42"W x 30"H, LEFT HAND	\$1,273.50	\$5,094.00
43	1	HGTB244230L	MERCURY TECHNOLOGY BASE, 24"D x 42"W x 30"H, LEFT HAND	\$1,444.50	\$1,444.50
44	5	HGTB244230R	MERCURY TECHNOLOGY BASE, 24"D x 42"W x 30"H, RIGHT HAND	\$1,273.50	\$6,367.50
45	1	HGTB244230R	MERCURY TECHNOLOGY BASE, 24"D x 42"W x 30"H, RIGHT HAND	\$1,444.50	\$1,444.50

CP04 14 Positions

Project: Metropolitan Emergency Comm Center (MECC 911)



Sold to

Company name: Metropolitan Emergency Comm Ctr (MECC 911)
 Contact Person:
 Contact Phone:
 Contact Fax:

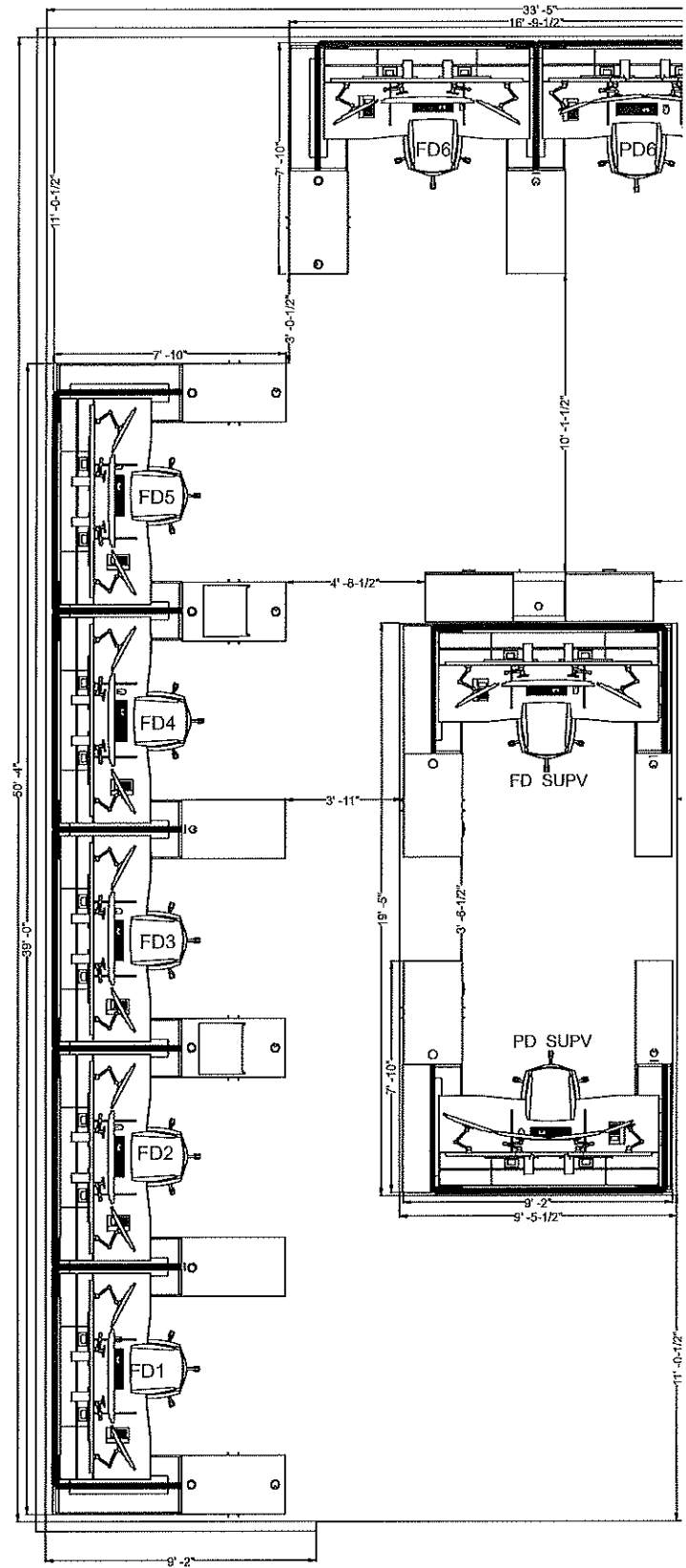
Distributor

Company name: THOMAS SHELBY & COMPANY
 Salesman: Mike Shelby
 Salesman Phone: 4193943377
 Salesman Fax:

#	Qty	Part Number	Description	Sell	Ext. Sell
46	5	S20-1614-2442	MODIFIED HHC - MERCURY HUB COVER, 24"D x *29.5"H*, *WITH 24" X 42" TOP*, *WITH MIRO BRIDGE LEG AS PER DRAWING*, *WITH 061333, 3" GROMMET FOR CABLE ACCESS IN SURFACE AND IN HUB COVER*	\$623.25	\$3,116.25
47	1	S20-1761-202142L	MODIFIED HGTB - MERCURY TECHNOLOGY BASE, *20"D x 21.5625"W x 41.5"H*, LEFT HAND, *WITH RACK MOUNT RAILS AND FIXED SHELF, AS PER DRAWING*	\$1,264.50	\$1,264.50
48	2	S20-1762-1542	MODIFIED HHC - MERCURY HUB COVER, 15"D x *29.5"H*, *WITH 15" X 42" TOP*, *WITH MIRO BRIDGE LEG AS PER DRAWING*, *WITH 061333, 3" GROMMET FOR CABLE ACCESS IN SURFACE AND IN HUB COVER*	\$618.75	\$1,237.50
49	4	TPM4	DESK TOP PHONE MOUNT, 4 HIGH	\$604.80	\$2,419.20
50	1	TRM3	DESK TOP RACK MOUNT, 3 HIGH	\$407.25	\$407.25
51	12	TXXSTATUS-4LPS	STATUS LIGHT R/Y/G/B WITH POWER SUPPLY	\$792.00	\$9,504.00
52	28	TXXTECHAUDIO25	TECH LINK, STEREO AUDIO JACK, (3.5mm CONNECTOR SIZE) - Black, 25Ft	\$18.00	\$504.00
53	28	TXXTECHDATA25	TECHLINK, DATA JACK (CAT6), RJ45, PASS THROUGH PANEL MOUNT - Black, 25 Ft	\$31.50	\$882.00
54	26	TXXTECHPH25	TECH LINK, PHONE JACK, (RJ11 / RJ12) - Black, 25Ft	\$13.50	\$351.00
55	14	TXXTECHUSB-CHG	TECH LINK, USB CHARGER INSERT	\$72.00	\$1,008.00
56	84	TXXTECHUSB15	TECH LINK, USB INSERT (TYPE A), FEMALE / FEMALE WALL PLATE COUPLER - Black, 15Ft	\$22.50	\$1,890.00
57	14	TXXVARRAYSR	VERTICAL ARRAY MOUNTING ASSEMBLY, SINGLE MONITOR	\$274.50	\$3,843.00
58	7	TXXVESABRKT	MERCURY VESA ADAPTER BRACKET	\$67.50	\$472.50
59	1	WAKEY-STD	MASTER KEY, STANDARD LOCK (082000)	\$0.00	\$0.00
60	4	ZS3LF203642	ZO STORAGE, 3 LATERAL, 20"D x 36"W x 42"H	\$954.00	\$3,816.00
61	1	ZSBKD203042	ZO STORAGE BOOKCASE, DOORS, 20"D x 30"W x 42"H	\$544.50	\$544.50

Subtotal Product \$219,366.45
 INSTALL-WAT \$24,292.00
Total \$243,658.45
Grand Total \$243,658.45

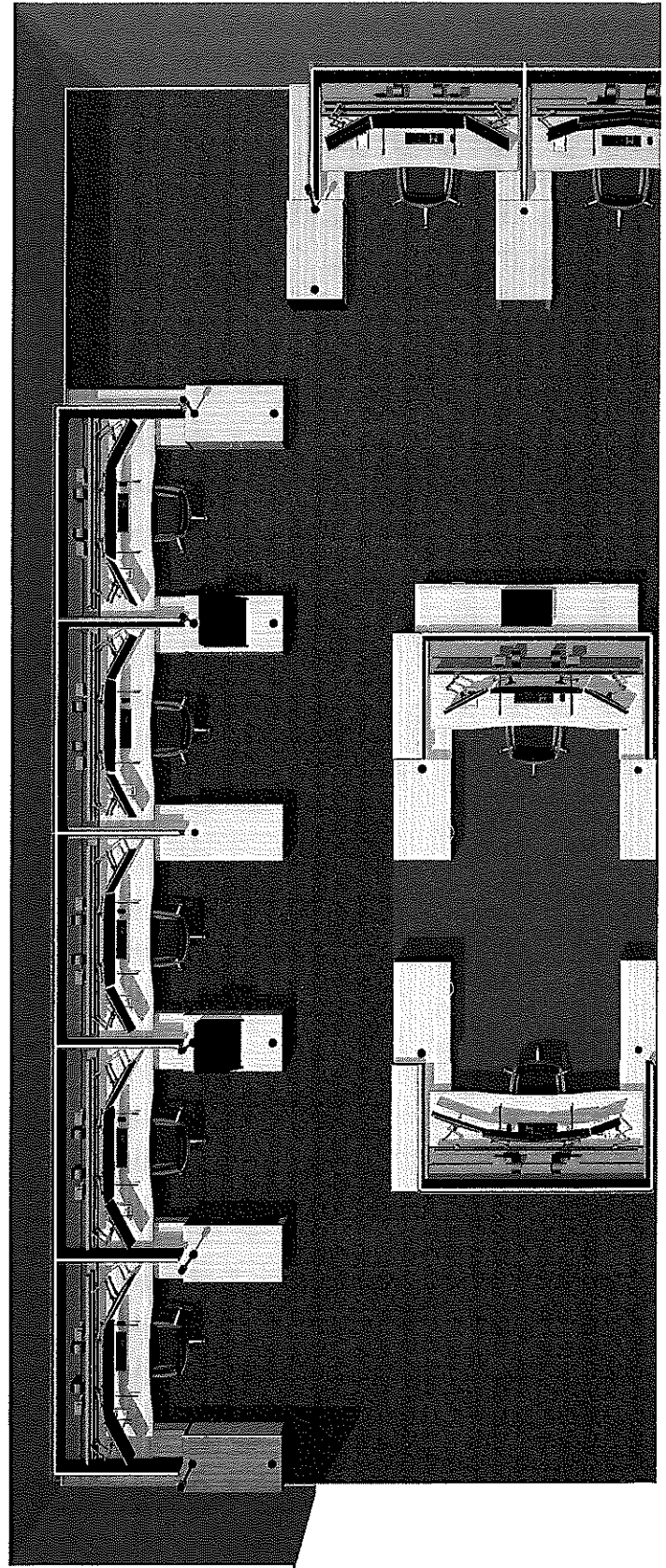
(14) Mercury Pro Consoles - 90" & 84" Primaries -60" Screens



NOTE: Verify all building dimensions on-site prior to purchase or installation of product.
 Watson agrees to provide product Symbols that are correct. In turn, the agent or customer is responsible for providing accurate building plans, including dimensions, features, and information required for space planning and installation.

Approved By: _____
 Name _____

(14) Mercury Pro Consoles - 90" & 84" Primaries - 60" Screens

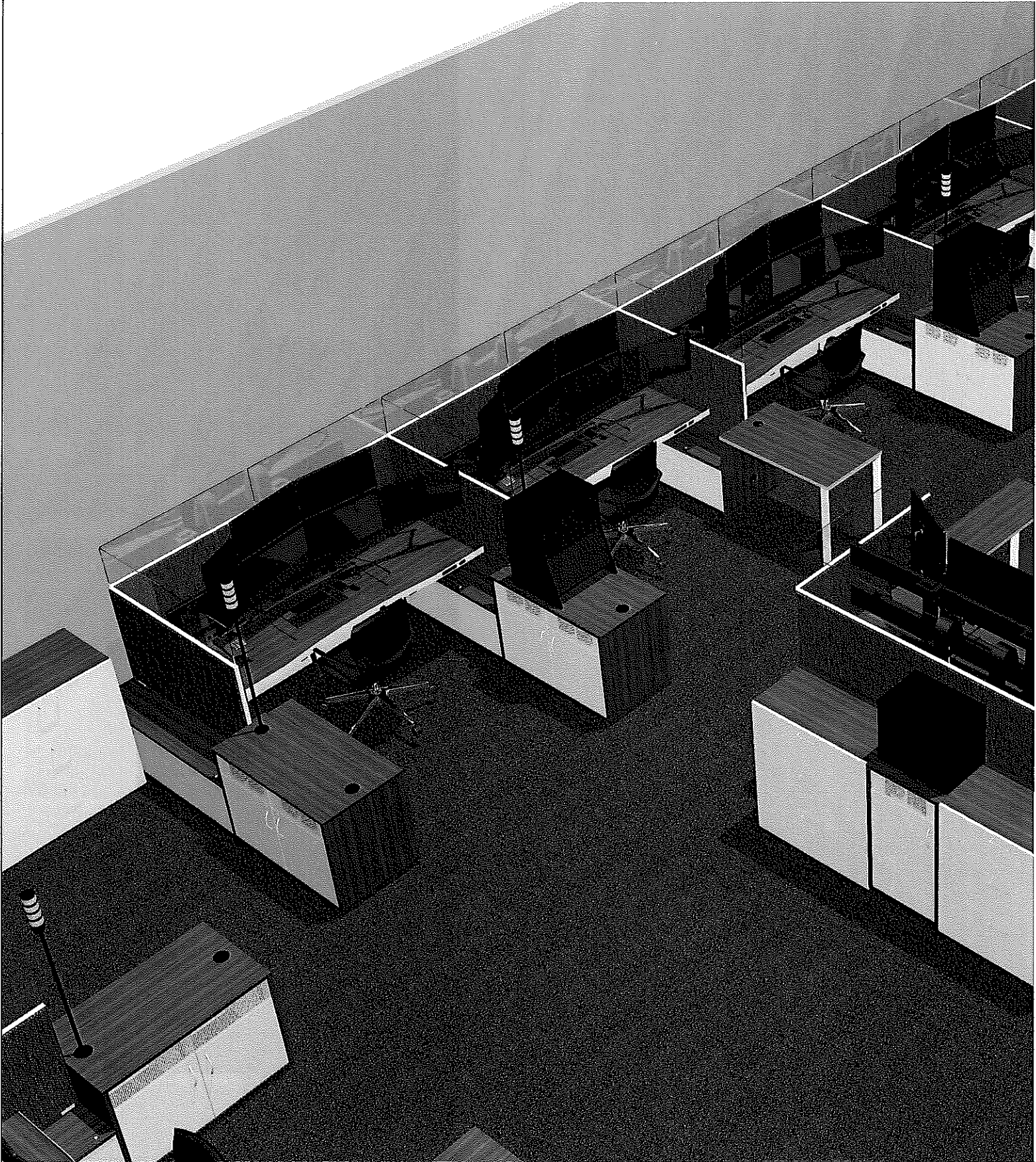


NOTE: Verify all building dimensions on-site prior to purchase or installation of product. Watson agrees to provide product Symbols that are correct. In turn, the agent or customer is responsible for providing accurate building plans, including dimensions, features, and information required for space planning and installation.

Approved By:

Name

(14) Mercury Pro Consoles - 90" & 84" Primaries -60" Screens



NOTE: Verify all building dimensions on-site prior to purchase or installation of product. Watson agrees to provide product Symbols that are correct. In turn, the agent or customer is responsible for providing accurate building plans, including dimensions, features, and information required for space planning and installation.

Approved By:

Name

(14) Mercury Pro Consoles - 90" & 84" Primaries -60" Screens



NOTE: Verify all building dimensions on-site prior to purchase or installation of product. Watson agrees to provide product Symbols that are correct. In turn, the agent or customer is responsible for providing accurate building plans, including dimensions, features, and information required for space planning and installation.

Approved By: _____

Name

(14) Mercury Pro Consoles - 90" & 84" Primaries -60" Screens

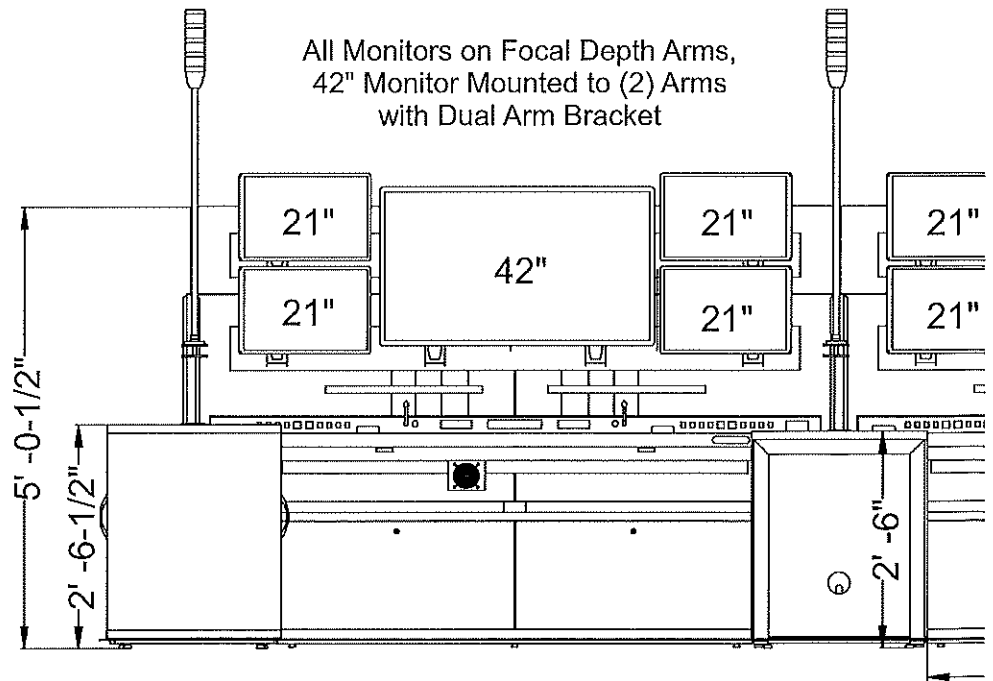
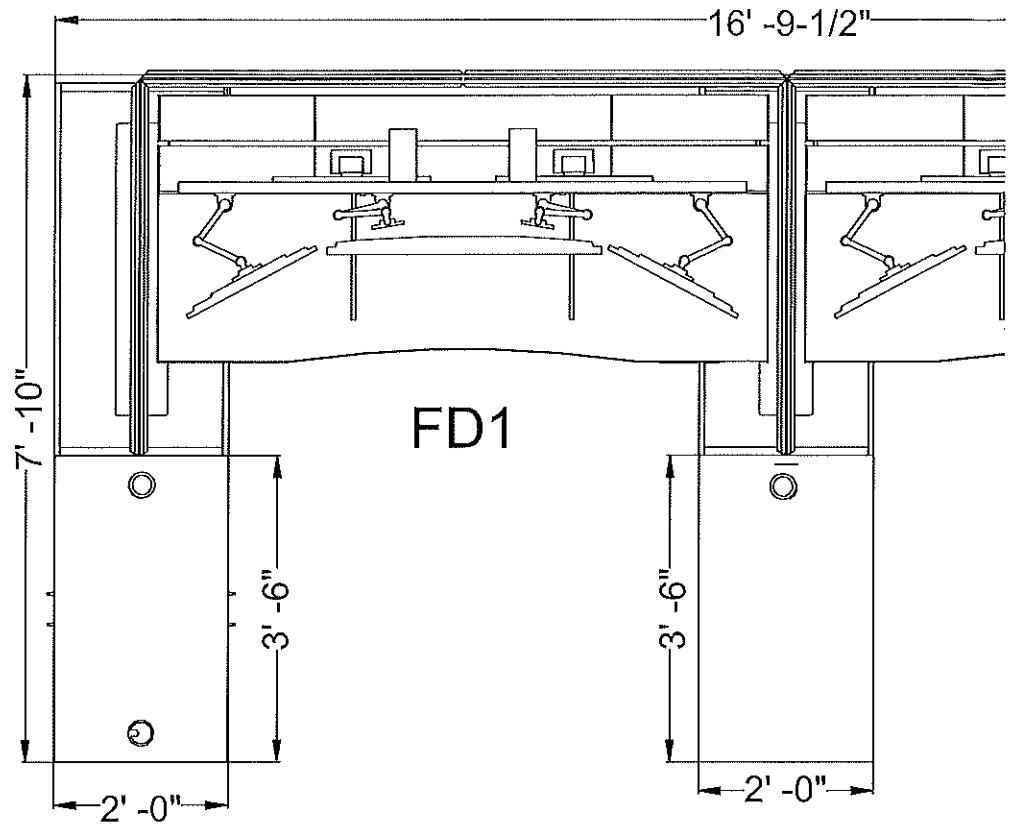


NOTE: Verify all building dimensions on-site prior to purchase or installation of product.
Watson agrees to provide product Symbols that are correct. In turn, the agent or customer is responsible for providing accurate building plans, including dimensions, features, and information required for space planning and installation.

Approved By: _____

Name _____

(14) Mercury Pro Consoles - 90" & 84" Primaries -60" Screens

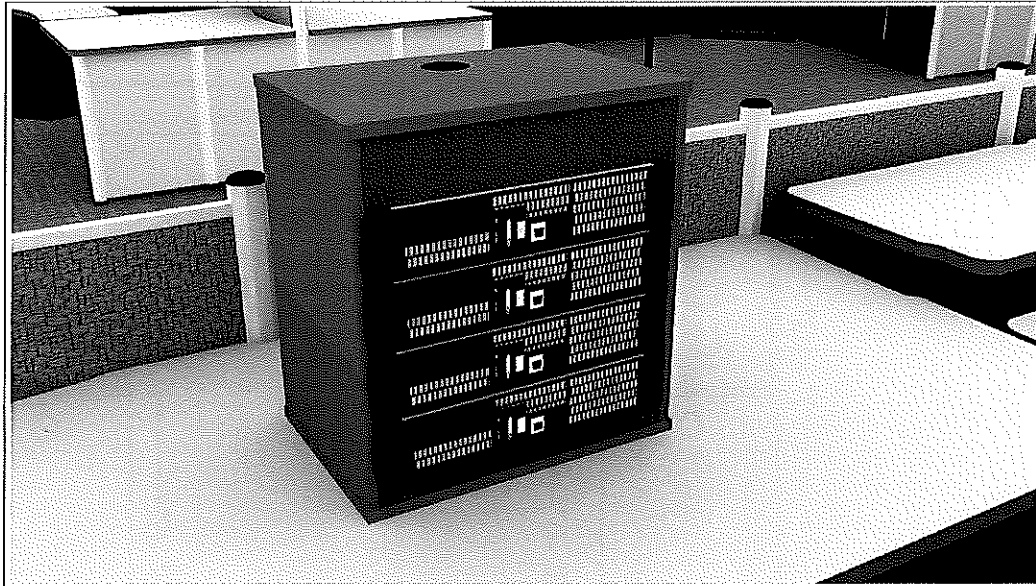


NOTE: Verify all building dimensions on-site prior to purchase or installation of product.
 Watson agrees to provide product Symbols that are correct. In turn, the agent or customer is responsible for providing accurate building plans, including dimensions, features, and information required for space planning and installation.

Approved By:

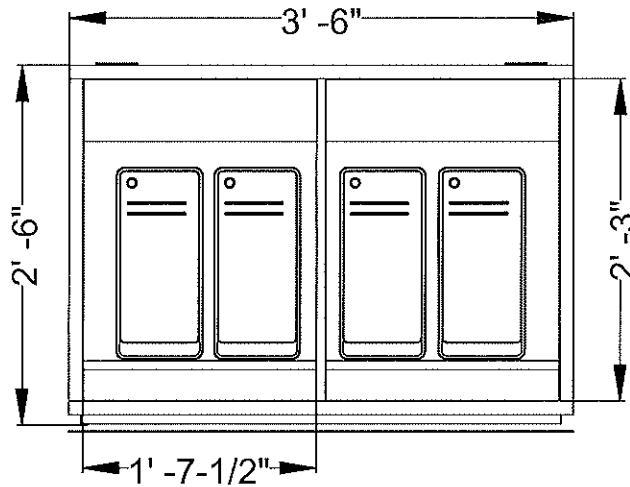
Name

(14) Mercury Pro Consoles - 90" & 84" Primaries -60" Screens



Rack Mount - 4 High

Scale ~ 1/12" = 1'



Scale 3/4" = 1'

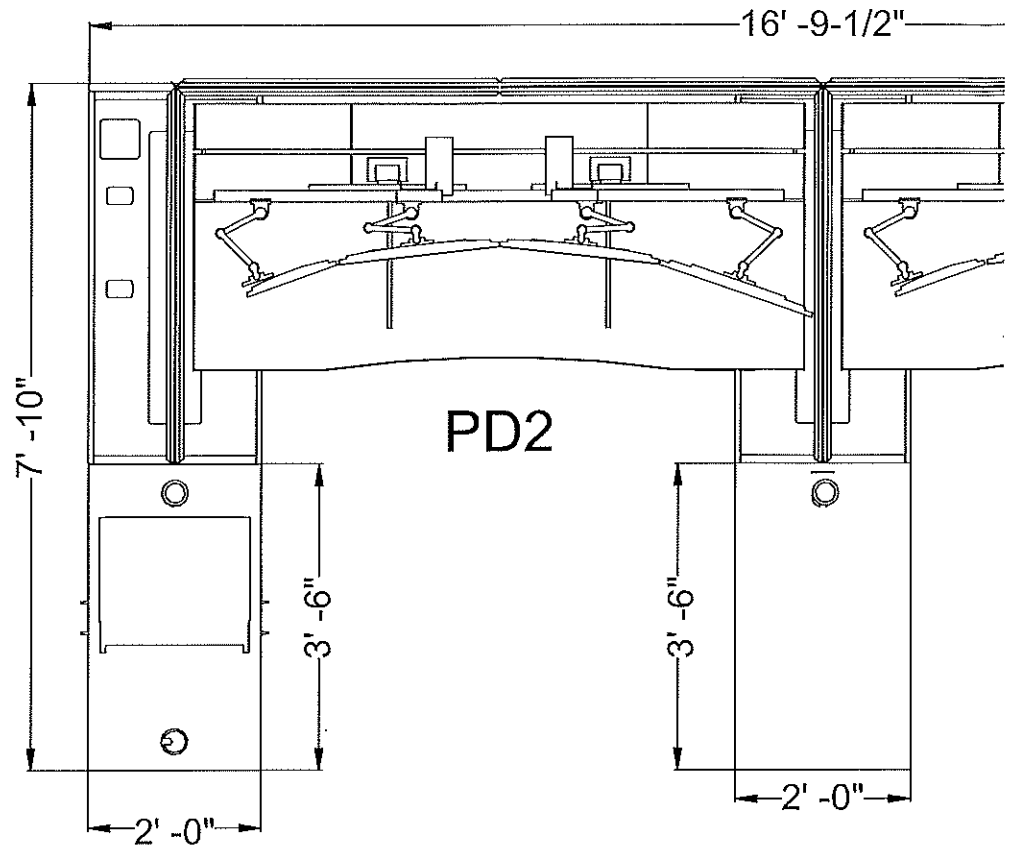
42" Mercury Technology Base

NOTE: Verify all building dimensions on-site prior to purchase or installation of product.
 Watson agrees to provide product Symbols that are correct. In turn, the agent or customer is responsible for providing accurate building plans, including dimensions, features, and information required for space planning and installation.

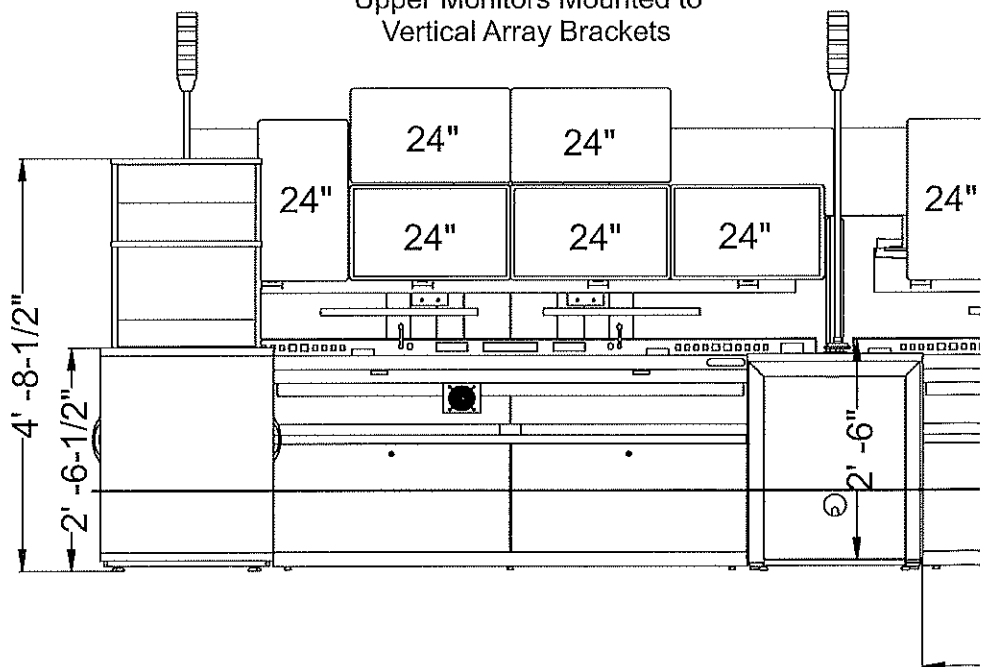
Approved By: _____

Name _____

(14) Mercury Pro Consoles - 90" & 84" Primaries -60" Screens



All Monitors on Focal Depth Arms,
Upper Monitors Mounted to
Vertical Array Brackets

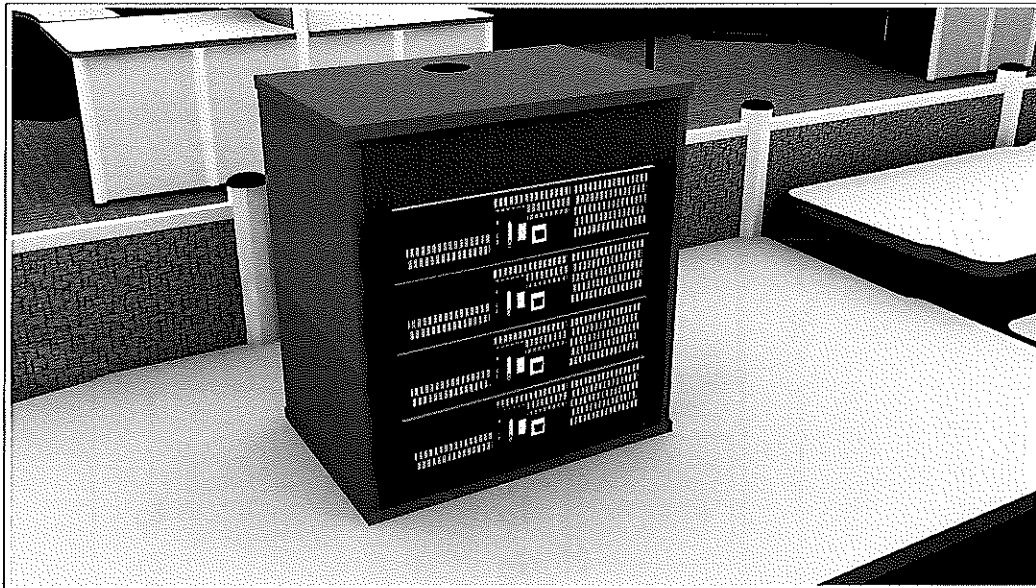


NOTE: Verify all building dimensions on-site prior to purchase or installation of product.
Watson agrees to provide product Symbols that are correct. In turn, the agent or customer is responsible for providing accurate building plans, including dimensions, features, and information required for space planning and installation.

Approved By:

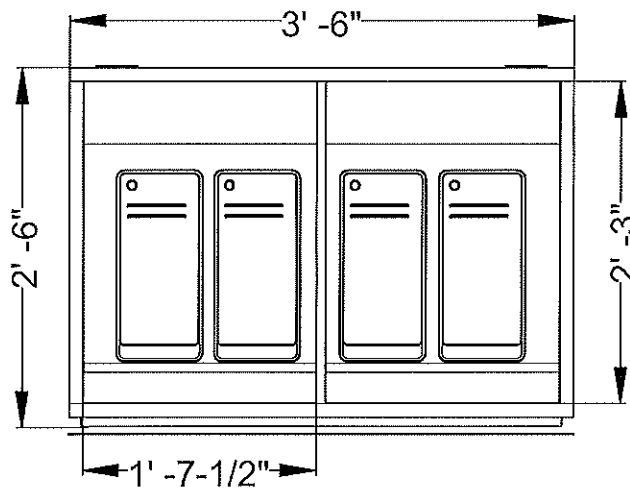
Name

(14) Mercury Pro Consoles - 90" & 84" Primaries -60" Screens



Rack Mount - 4 High

Scale ~12" = 1'



Scale 3/4" = 1'

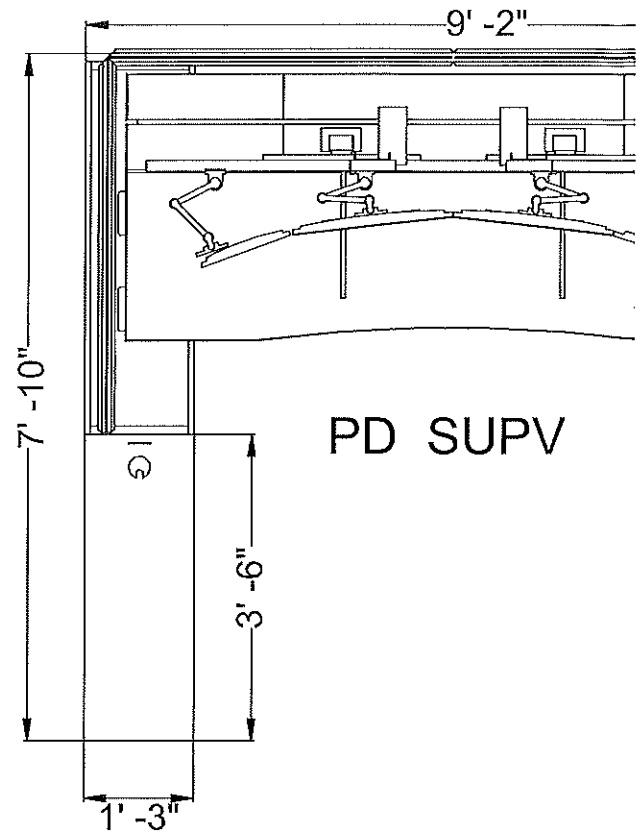
42" Mercury Technology Base

NOTE: Verify all building dimensions on-site prior to purchase or installation of product. Watson agrees to provide product Symbols that are correct. In turn, the agent or customer is responsible for providing accurate building plans, including dimensions, features, and information required for space planning and installation.

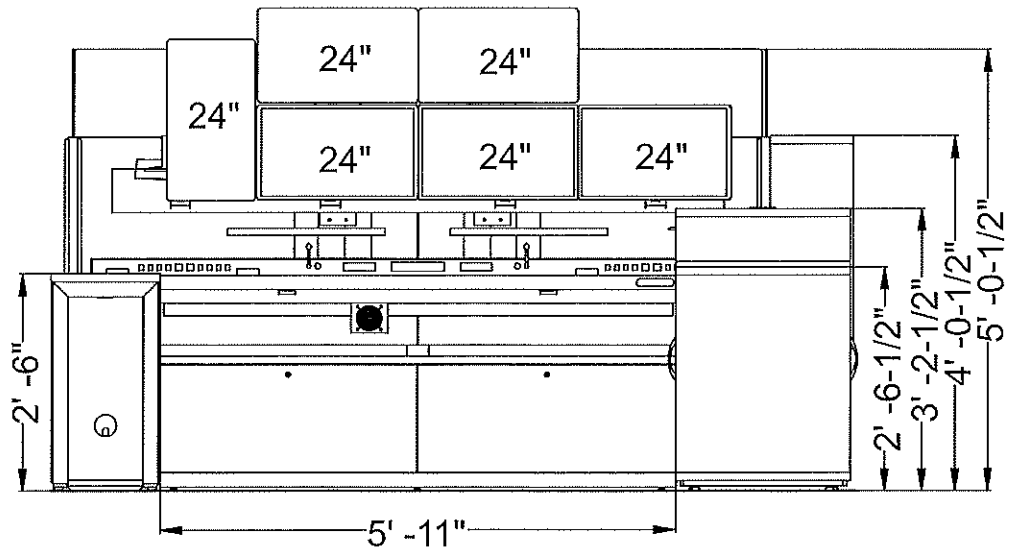
Approved By:

Name

(14) Mercury Pro Consoles - 90" & 84" Primaries -60" Screens



All Monitors on Focal Depth Arms,
Upper Monitors Mounted to
Vertical Array Brackets

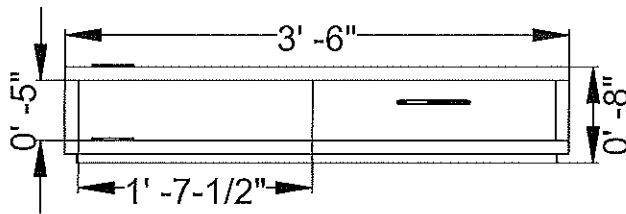


NOTE: Verify all building dimensions on-site prior to purchase or installation of product.
Watson agrees to provide product Symbols that are correct. In turn, the agent or customer is responsible for providing accurate building plans, including dimensions, features, and information required for space planning and installation.

Approved By:

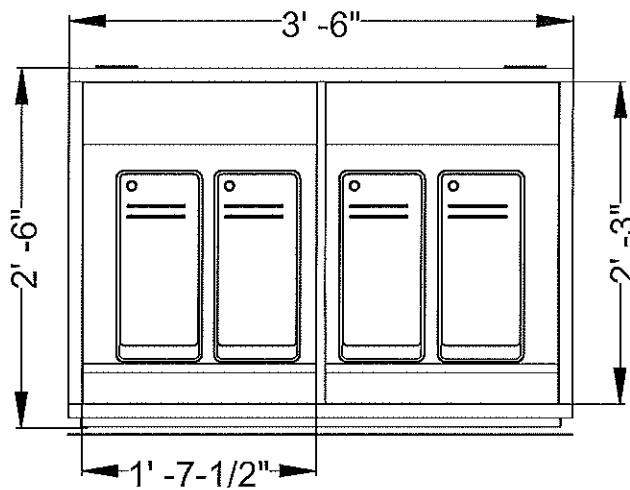
Name

(14) Mercury Pro Consoles - 90" & 84" Primaries -60" Screens



Scale 3/4" = 1'

42" Open/Drawer Pallet



Scale 3/4" = 1'

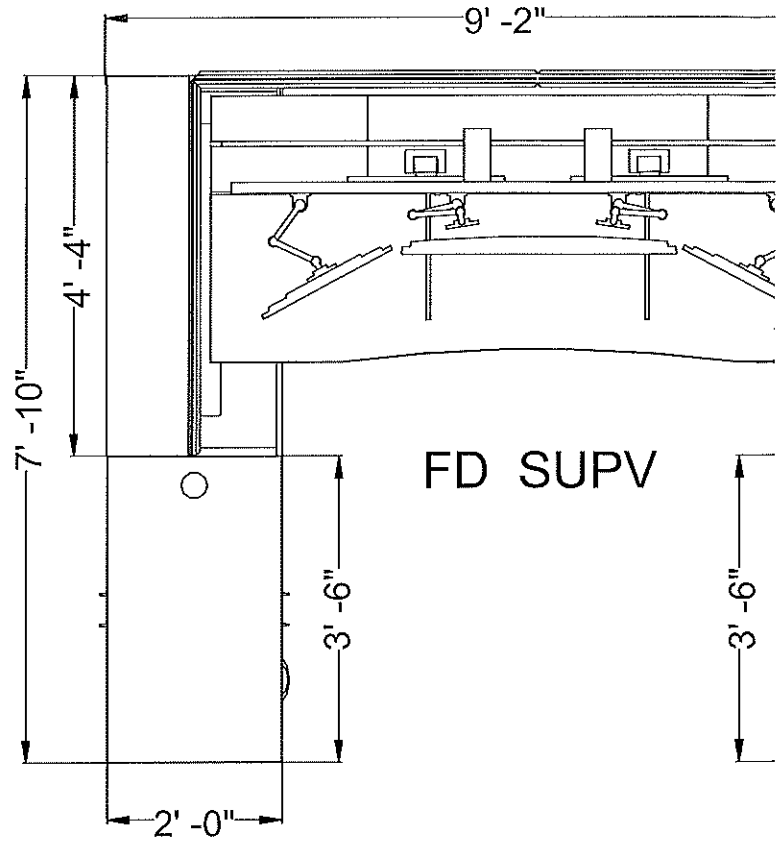
42" Mercury Technology Base

NOTE: Verify all building dimensions on-site prior to purchase or installation of product. Watson agrees to provide product Symbols that are correct. In turn, the agent or customer is responsible for providing accurate building plans, including dimensions, features, and information required for space planning and installation.

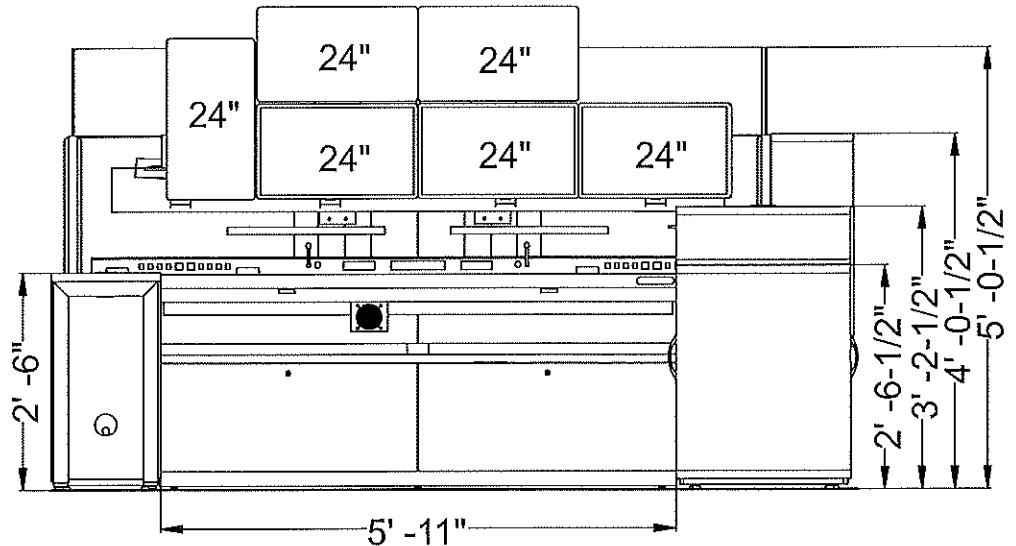
Approved By: _____

Name _____

(14) Mercury Pro Consoles - 90" & 84" Primaries -60" Screens



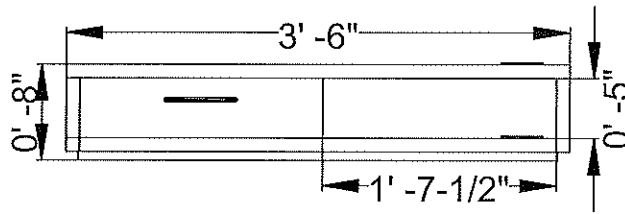
All Monitors on Focal Depth Arms,
Upper Monitors Mounted to
Vertical Array Brackets



NOTE: Verify all building dimensions on-site prior to purchase or installation of product.
Watson agrees to provide product Symbols that are correct. In turn, the agent or customer is responsible for providing accurate building plans, including dimensions, features, and information required for space planning and installation.

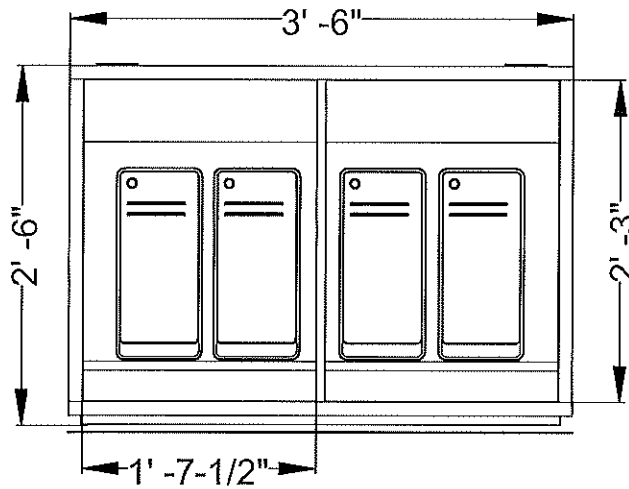
Approved By: _____
Name _____

(14) Mercury Pro Consoles - 90" & 84" Primaries -60" Screens



Scale 3/4" = 1'

42" Open/Drawer Pallet



42"

Scale 3/4" = 1'

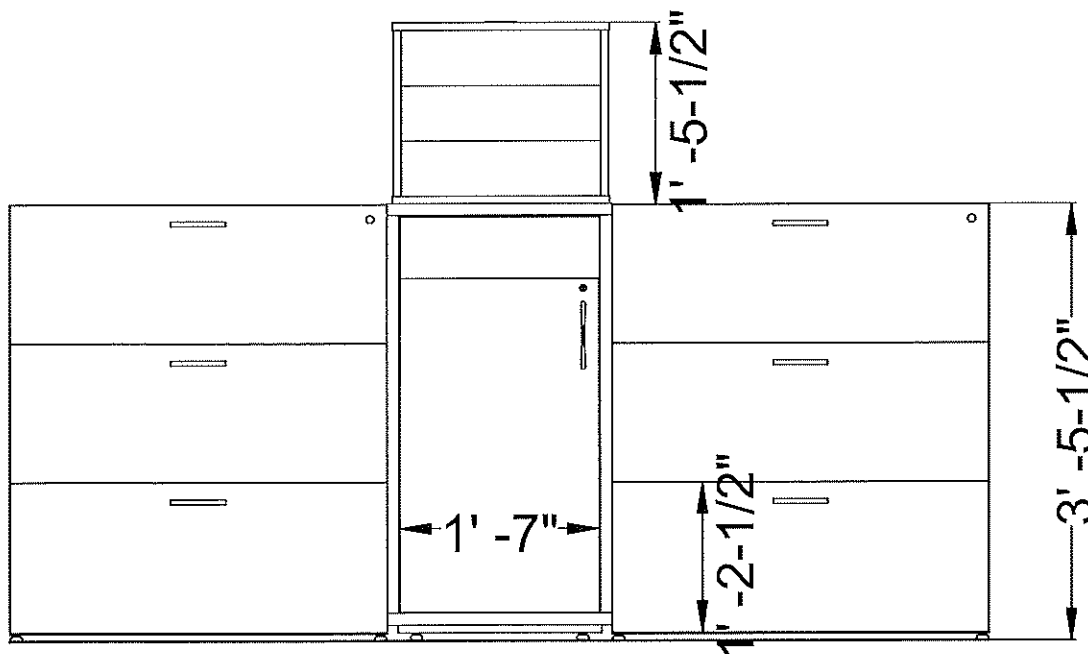
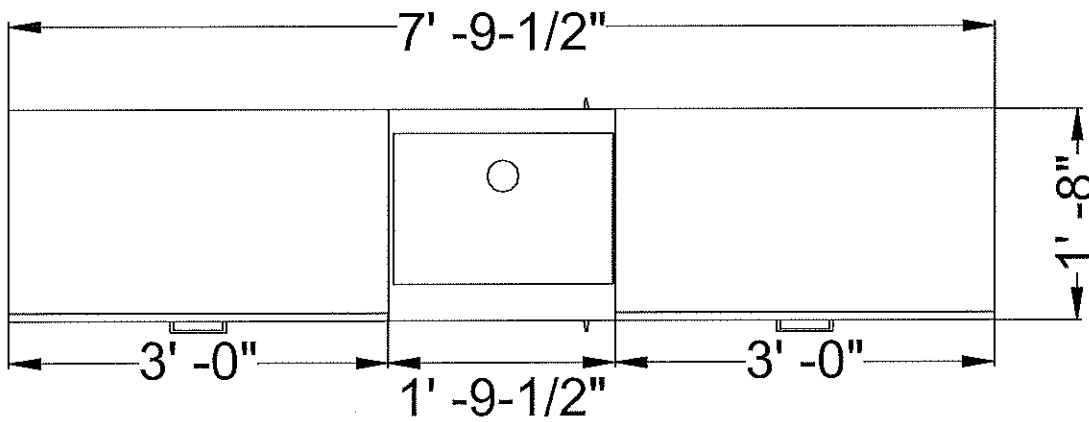
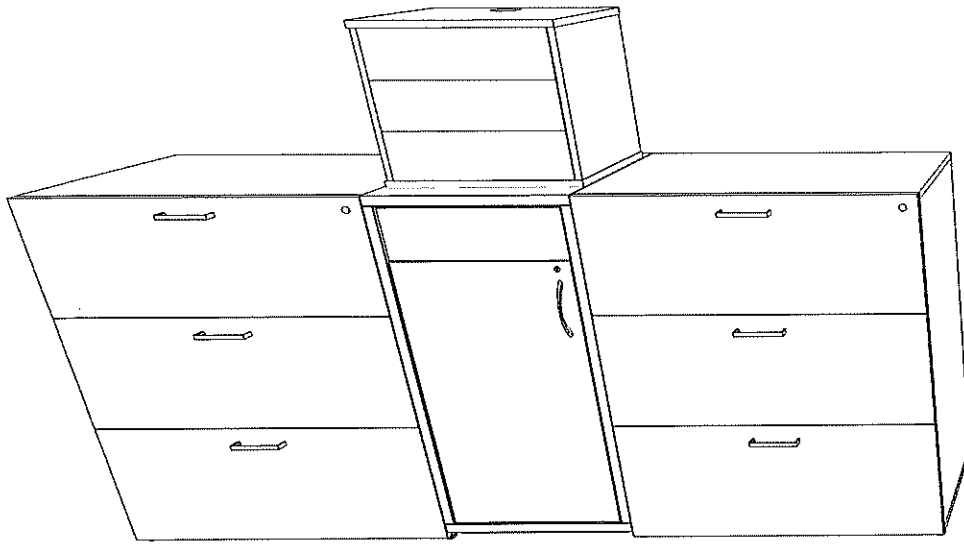
42" Mercury Technology Base

NOTE: Verify all building dimensions on-site prior to purchase or installation of product. Watson agrees to provide product Symbols that are correct. In turn, the agent or customer is responsible for providing accurate building plans, including dimensions, features, and information required for space planning and installation.

Approved By:

Name

(14) Mercury Pro Consoles - 90" & 84" Primaries - 60" Screens



NOTE: Verify all building dimensions on-site prior to purchase or installation of product. Watson agrees to provide product Symbols that are correct. In turn, the agent or customer is responsible for providing accurate building plans, including dimensions, features, and information required for space planning and installation.

Approved By:

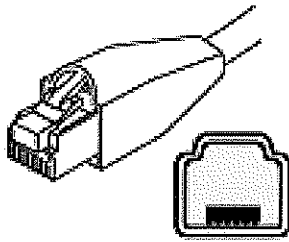
Name

Description: Center Position Technology Dashboard Layout

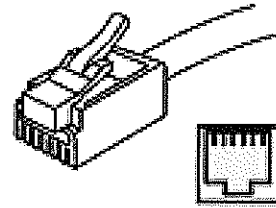
Data Port Types

From the available ports shown, note quantity of ports by specifying type of connection needed.

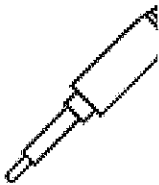
Number Included



CAT6/RJ45



RJ12



3.5 Stereo

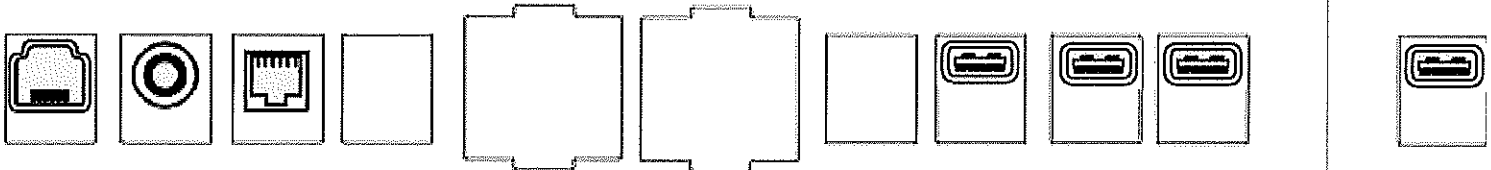
LEFT

User Data Ports

Note - Total Left & Right counts cannot exceed USB Power only available in large ports.

RIGHT

User Data Ports



REAR LEFT

Monitor Data Ports, speakers and/or video touchscreens

<input type="text"/>	<input type="text"/>
<input type="text"/>	<input type="text"/>

SPEAKER BRACKETS

Array Bar Mounted

Total number of speakers

SOUND

Array Bar

Total number of speakers

PC COUNT

LEFT TECH CABINET

NOTE: Verify all building dimensions on-site prior to purchase or installation of product. Watson agrees to provide product Symbols that are correct. In turn, the agent or customer is responsible for providing accurate building plans, including dimensions, features, and information required for space planning and installation.

Approved By:

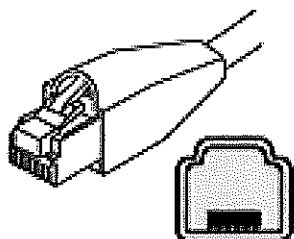
Name

Description: Left Hand Technology Dashboard Layout

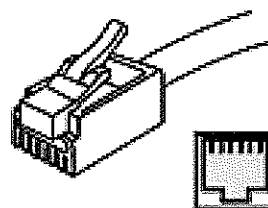
Data Port Types

From the available ports shown, note quantity of ports by specifying type of connection needed.

Number Included



CAT6/RJ45



RJ12



3.5 Stereo

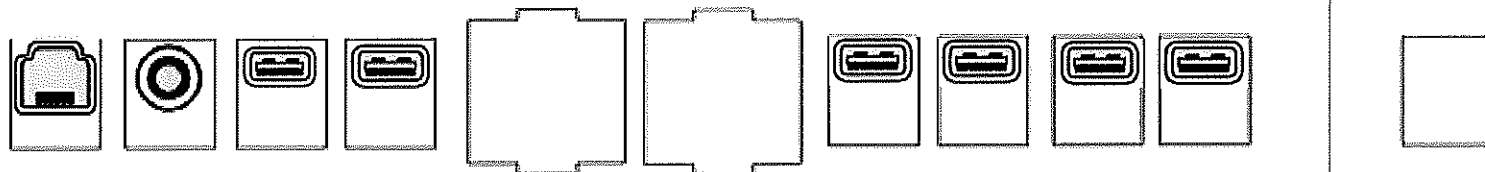
LEFT

User Data Ports

Note - Total Left & Right counts cannot exceed USB Power only available in large ports.

RIGHT

User Data Ports



REAR LEFT

Monitor Data Ports; speakers and/or video touchscreens

<input type="text"/>	<input type="text"/>
<input type="text"/>	<input type="text"/>

SPEAKER BRACKETS

Array Bar Mounted

Total number of speakers

SOUND

Array Bar

Total number of speakers

PC COUNT

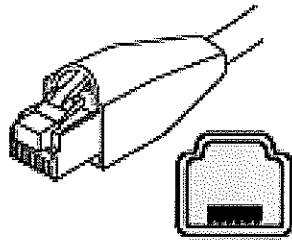
LEFT TECH CABINET

Description: Right Hand Technology Dashboard Layout

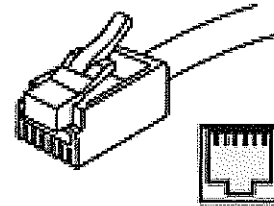
Data Port Types

From the available ports shown, note quantity of ports by specifying type of connection needed.

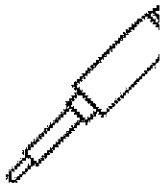
Number Included



CAT6/RJ45



RJ12



3.5 Stereo

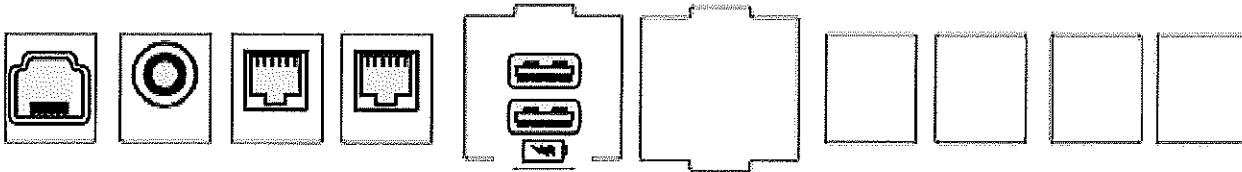
LEFT

User Data Ports

Note - Total Left & Right counts cannot exceed USB Power only available in large ports.

RIGHT

User Data Ports



REAR LEFT

Monitor Data Ports, speakers and/or video touchscreens

SPEAKER BRACKETS

Array Bar Mounted

Total number of speakers

SOUND

Array Bar

Total number of speakers

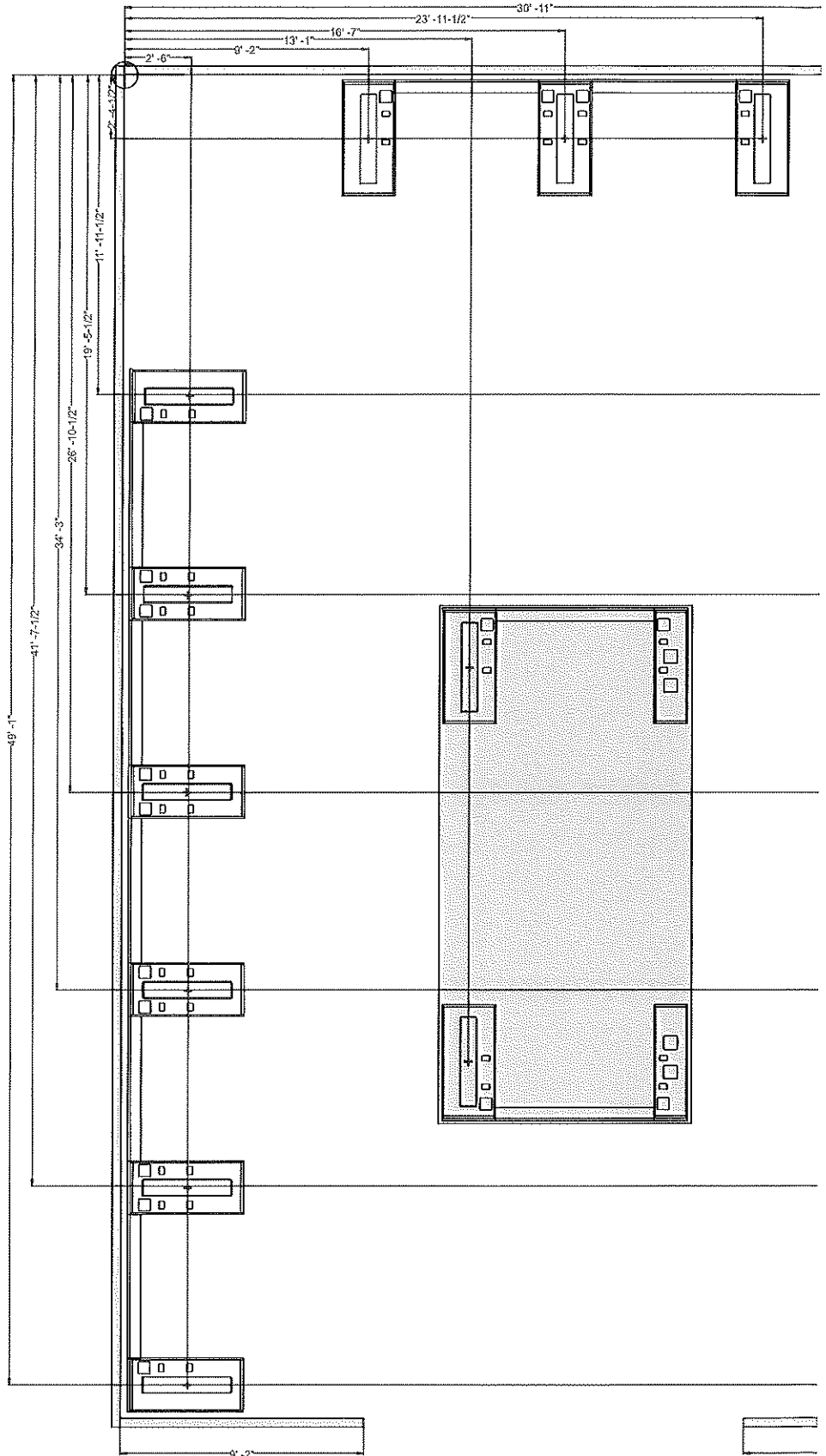
PC COUNT

LEFT TECH CABINET

NOTE: Verify all building dimensions on-site prior to purchase or installation of product. Watson agrees to provide product Symbols that are correct. In turn, the agent or customer is responsible for providing accurate building plans, including dimensions, features, and information required for space planning and installation.

Approved By: _____
Name

(14) Mercury Pro Consoles - 90" & 84" Primaries -60" Screens



NOTE: Verify all building dimensions on-site prior to purchase or installation of product. Watson agrees to provide product Symbols that are correct. In turn, the agent or customer is responsible for providing accurate building plans, including dimensions, features, and information required for space planning and installation.

Approved By:

Name

